

**ILLUSTRATED
PARTS
MANUAL**

**HYPRO II
FLATWORK IRONER**

PRODUCT CODES 152-158

FOR MACHINES PRODUCED WITH SERIAL
NUMBERS SUBSEQUENT TO 156004981077



**AMERICAN LAUNDRY MACHINERY
a McGraw-Edison Company Division**

5050 Section Avenue, Cincinnati, Ohio 45212

ILLUSTRATED PARTS MANUAL

FLATWORK IRONER

Table of Contents

| Paragraph | | Page |
|-----------|---|------|
| 6-1 | GENERAL | 6-1 |
| 6-2 | CONTENTS | 6-1 |
| 6-3 | PURPOSE | 6-1 |
| 6-4 | TITLES | 6-1 |
| 6-5 | ITEM NUMBER (NO.) COLUMN | 6-1 |
| 6-6 | PART NUMBER (NO.) COLUMN | 6-1 |
| 6-7 | DESCRIPTION COLUMN | 6-1 |
| 6-8 | MANUFACTURER'S (MFRS) CODE COLUMN | 6-1 |
| 6-9 | UNITS PER ASSEMBLY (ASSY) COLUMN | 6-2 |
| 6-10 | ATTACHING PARTS | 6-2 |
| 6-11 | REPAIR PARTS ORDERING | 6-2 |
| 6-12 | ABBREVIATIONS | 6-2 |

| Figure | | Page |
|--------|--|------|
| 6-1 | Right Front Photographic View of Class 160 Flatwork Ironer | 6-5 |
| 6-2 | Photographic View of Motor Drive Assembly and Roll Drive | 6-6 |
| 6-3 | Motor Drive Assembly | 6-7 |
| 6-4 | Two Roll Drive and Connecting Frame | 6-12 |
| 6-5 | Three Roll Drive and Connecting Frame | 6-15 |
| 6-6 | Four Roll Drive and Connecting Frame | 6-18 |
| 6-7 | Five Roll Drive and Connecting Frame | 6-21 |
| 6-8 | Six Roll Drive and Connecting Frame | 6-24 |
| 6-9 | Seven Roll Drive and Connecting Frame | 6-27 |
| 6-10 | Eight Roll Drive and Connecting Frame | 6-30 |
| 6-11 | Basic Double Roll Module Sprocket, Main Bearing Housing | 6-33 |
| | Assembly, and Universal Drive Shaft | |
| 6-12 | Adjustable Motor Base (3BH5-ERC) | 6-35 |
| 6-13 | Adjustable Motor Base (4BH5-ERC) | 6-37 |
| 6-14 | Torque Limiter | 6-39 |
| 6-15 | Clutch Assembly | 6-40 |
| 6-16 | Front Assembly | 6-41 |
| 6-17 | Air Cylinder Drive Mechanism | 6-44 |
| 6-18 | Vacuum Adapter Assembly | 6-46 |
| 6-19 | Steam Piping Components | 6-47 |
| 6-20a | Drip Pan and Lubrication System, 3 Roll | 6-49 |
| 6-20b | Drip Pan and Lubrication System, 4 Roll | 6-51 |
| 6-20c | Drip Pan and Lubrication System, 5 Roll | 6-53 |
| 6-20d | Drip Pan and Lubrication System, 6 Roll | 6-55 |
| 6-20e | Drip Pan and Lubrication System, 7 Roll | 6-57 |
| 6-20f | Drip Pan and Lubrication System, 8 Roll | 6-59 |
| 6-21 | Oil Injector | 6-61 |
| 6-22 | Oil Pump | 6-63 |
| 6-23 | Timer Assembly | 6-65 |
| 6-24 | Air System Components | 6-68 |
| 6-25 | Machine Electrical Parts | 6-70 |
| 6-26 | Roll Raise Solenoid Valve | 6-72 |

PRODUCT CODE 152

ILLUSTRATED PARTS MANUAL

FLATWORK IRONER

Table of Contents (cont'd)

| Figure | | Page |
|--------|---|------|
| 6-27 | Clutch and Oiler Solenoid Valve | 6-74 |
| 6-28 | Reed Switch Solenoid Valve | 6-76 |
| 6-29 | Electrical Control (120V-208V/3Ph/60Hz 7-1/2 Hp, 15 Hp, 20 Hp) | 6-78 |
| 6-30 | Electrical Control (220V-240V/3Ph/60Hz 7-1/2 Hp, 15 Hp, 20 Hp) | 6-81 |
| 6-31 | Electrical Control (440V-480V/3Ph/60Hz 7-1/2 Hp, 15 Hp, 20 Hp) | 6-84 |
| 6-32 | Electrical Control (550V-600V/3Ph/60Hz 7-1/2 Hp, 15 Hp, 20 Hp) | 6-88 |

| Table | | Page |
|-------|--|------|
| 6-1 | Manufacturer's Code | 6-3 |
| 6-2 | Spare Parts 60 Hz (7-1/2 Hp, 15 Hp, 20 Hp) | 6-80 |

6.1 GENERAL

This section contains an illustrated parts breakdown of the Flatwork Ironer, PC135. Assemblies and parts are listed and illustrated for repair part purposes.

6.2 CONTENTS

Parts listings are provided with descriptions of assemblies and parts used on the unit. For cross reference purposes the index numbers on the figures and the item numbers listed in the ITEM NO. column are the same.

6.3 PURPOSE

The illustrated parts manual is intended for use in ordering parts and illustrating part relationship.

6.4 TITLES

The illustration and accompanying parts list are assigned the same title.

6.5 ITEM NUMBER (NO.) COLUMN

The item number listed in the ITEM NO. column of the parts list is formed by the figure number and the index number assigned to the part on the referenced figure.

6.6 PART NUMBER (NO.) COLUMN

The part number listed in the PART NUMBER column is the ALM assigned part number and should be used for ordering the related part from ALM.

6.7 DESCRIPTION

The description of an assembly or part is listed in the DESCRIPTION column opposite the part number assigned it. The relationship of assemblies and parts is shown by the indent level under the numbers 1 through 7 in the DESCRIPTION column heading. The complete unit has an indent level of 1. Assemblies or parts assembled directly onto the unit have an indent level of 2. Parts of an assembly or a subassembly have an indent level of 3. Additional subassemblies or parts of such subassemblies have an indent level of 4 through 7 as applicable.

The part numbers of parts manufactured by manufacturers other than ALM and not modified by ALM are listed enclosed in parenthesis immediately following the part description. ~~The manufacturer of such parts can be determined by referring to the MFRS CODE column. (Refer to paragraph 8.)~~

6.8 MANUFACTURER'S (MFRS) CODE COLUMN

The five digit number listed in the MFRS CODE column are manufacturer's code numbers and indicate the manufacturer of the part. The five digit manufacturer's number is listed in numerical sequence in table 2. If no number is listed in the MFRS CODE column the part is an ALM manufactured part. The manufacturer's name and address is listed with the manufacturer's code.

6.9 UNITS PER ASSEMBLY COLUMN

The number listed in the UNITS PER ASSY column is the quantity required of the listed part in its immediate assembly. The abbreviation ref indicates the related item is shown elsewhere and the referenced listing should be consulted for additional information. The abbreviation np in the UNITS PER ASSY column indicates that the item is not procurable and the next higher assembly (as indicated by indent level) should be ordered.

6.10 ATTACHING PARTS

Parts which are used to attach assemblies and parts to the preceding listed assembly or part are listed under (ATTACHING PARTS) in the DESCRIPTION column. These attaching parts are listed immediately following the assembly or part they attach and preceding any breakdown of the assembly. The symbol - - - * - - - is used to denote the attaching parts listing.

6.11 REPAIR PARTS ORDERING

Whenever ordering replacement parts from American Laundry Machinery, always give complete nameplate data, including machine serial number.

6.12 ABBREVIATIONS

The definition of abbreviations used throughout the manual are listed below:

| | | | |
|------|-------------------------------------|-----|------------|
| ALM | American Laundry Machinery | Pri | primary |
| Amp | ampere | Rd | round |
| A/R | as required | Ref | reference |
| Bla | black | Rh | right hand |
| Brs | brass | Sec | secondary |
| Cad | cadmium | Sgl | single |
| Comp | compression | Sh | sheet |
| Dbl | double | Sl | slotted |
| Dia | diameter | Sq | square |
| Ft | feet | St | stroke |
| Hex | hexagon | Stl | steel |
| hd | head | Std | standard |
| Hp | horse power | T | tee |
| Hz | hertz | Thk | thick |
| Id | inside diameter | V | volt |
| In. | inch | W/ | with |
| Lg | long | Zn | zinc |
| LH | left hand | | |
| Met | metal | | |
| Mfrs | manufacturers | | |
| Met | metal | | |
| MPT | Male Pipe Thread | | |
| Nc | normally closed | | |
| No | normally open | | |
| No. | number | | |
| NPT | American Standard Taper Pipe Thread | | |
| P | pipe | | |
| Ph | phase | | |
| Pl | plate | | |
| Pos | position | | |

PRODUCT CODE 152

Table 6-1. Manufacturer's Code

| CODE NO. | MANUFACTURER'S NAME AND ADDRESS |
|----------|---|
| 00013 | Abart Gear and Machine Co. 4830 West 16TH St Cicero, IL 60650 |
| 01121 | Allen-Bradley Co. 1201 South 2ND St Milwaukee, WI 53204 |
| 04221 | Midtex Inc./Aemco Div 1650 Tower Blvd North Mankato, MN 56001 |
| 04895 | Lincoln St. Louis, Div of McNiel Corp 4010 Goodfellow Blvd St. Louis, MO 63120 |
| 09761 | Bundy Tubing Co. 12345 E. Nine Mile Rd Warren, MI 48090 |
| 14317 | Cincinnati Fan and Ventilator Co. 5345 Creek Rd Cincinnati, OH 45242 |
| 19220 | Eberhard Mfg. Co. 21944 Drake Rd Strongsville, OH 44136 |
| 23826 | Furnas Electric Co. 1004 McKee St Batavia, IL 60510 |
| 27780 | General Time Corp, Industrial Controls Div 135 S. Main St Thomaston, CT 06787 |
| 28455 | Hevi-Duty Electric Co., Div of Sola Basic Industries Inc Hwy 117 South, P.O. Box 268 Goldsboro, NC 27530 |
| 30327 | I-T-E Imperial Corp, Subsidiary of Gould Inc., Valve and Fitting Div. 6300 W. Howard St. Chicago, IL 60648 |
| 31875 | Horton Mfg Co. Inc 1179 15TH Avenue, SE Minneapolis, MN 55414 |
| 43766 | Nice Ball Bearing Co. 30TH and Hunting Park Ave. Philadelphia, PA 19140 |

PRODUCT CODE 152

Table 6-1. Manufacturer's Code (cont'd)

| CODE NO. | MANUFACTURER'S NAME AND ADDRESS |
|----------|---|
| 43990 | C. A. Norgren Co. 5400 S. Delaware St. Littleton, CO 80120 |
| 52090 | I-T-E Imperial Corp, Subsidiary of Gould Inc. Control and Systems Div. Bethel Road, P.O. Box 306 Westminster, MD 21157 |
| 60399 | Torin Corp. Kennedy Drive Torrington, CT 06790 |
| 61775 | Westinghouse Air Brake Co., Union Switch and Signal Div. 1789 Braddock Avenue Pittsburgh, PA 15218 |
| 70295 | Bijur Lubrication Corp 151 W. Passaic St. Rocheille Park, NJ 07662 |
| 71176 | Browning Mfg. Co., Div. of Emerson Electric Co. 1248 E. Second St, P.O. Box 687 Maysville, KY 41056 |
| 71400 | Bussman Mfg., Div. McGraw-Edison Co. 2536 W. University St. St. Louis, MO 63107 |
| 73559 | Carling Electric Inc. 505 New Park Avenue West Hartford, CT 06110 |
| 76117 | Marathon Electric Mfg. Corp Main St Chicago, IL 60518 |
| 77342 | AMF Inc. Potter and Brumfield Div. 200 Richland Creek Dr Princeton, IN 47671 |
| 81978 | Skinner Electric Valve, Div. Skinner Precision Industries Inc. 95 Edgewood Avenue New Britain, CT 06050 |
| 89020 | Control Products, Div. Amerace Corp 1065 Floral Avenue Union, NJ 07083 |
| 91802 | Industrial Devices Inc. 982 River Road Edgewater, NJ 07020 |

Table 6-1. Manufacturer's Code (cont'd)

| CODE NO. | MANUFACTURER'S NAME AND ADDRESS |
|----------|--|
| 91929 | Honeywell Inc. Micro Switch Div. Chicago and Spring Streets Freeport, IL 61032 |
| 92029 | Fluid Components, Div. Deltrol Corp. Grant and 30TH Avenues Bellwood, IL 60104 |
| 92563 | McGill Mfg. Co. Inc., Bearings Div. 907 Lafayette Valparaiso, IN 46383 |
| 92578 | Penn Controls Inc. 2221 Camden Ct. Oak Brook, IL 60521 |
| 96432 | Gerbing Mfg. Corp. S. State Rd, P.O. Box 727 Elgin, IL 60120 |
| 96820 | Johns-Manville Fiber Glass Inc. 410 Holms Rd Houston, TX 77025 |

NOTE

THIS PAGE INTENTIONALLY LEFT BLANK.

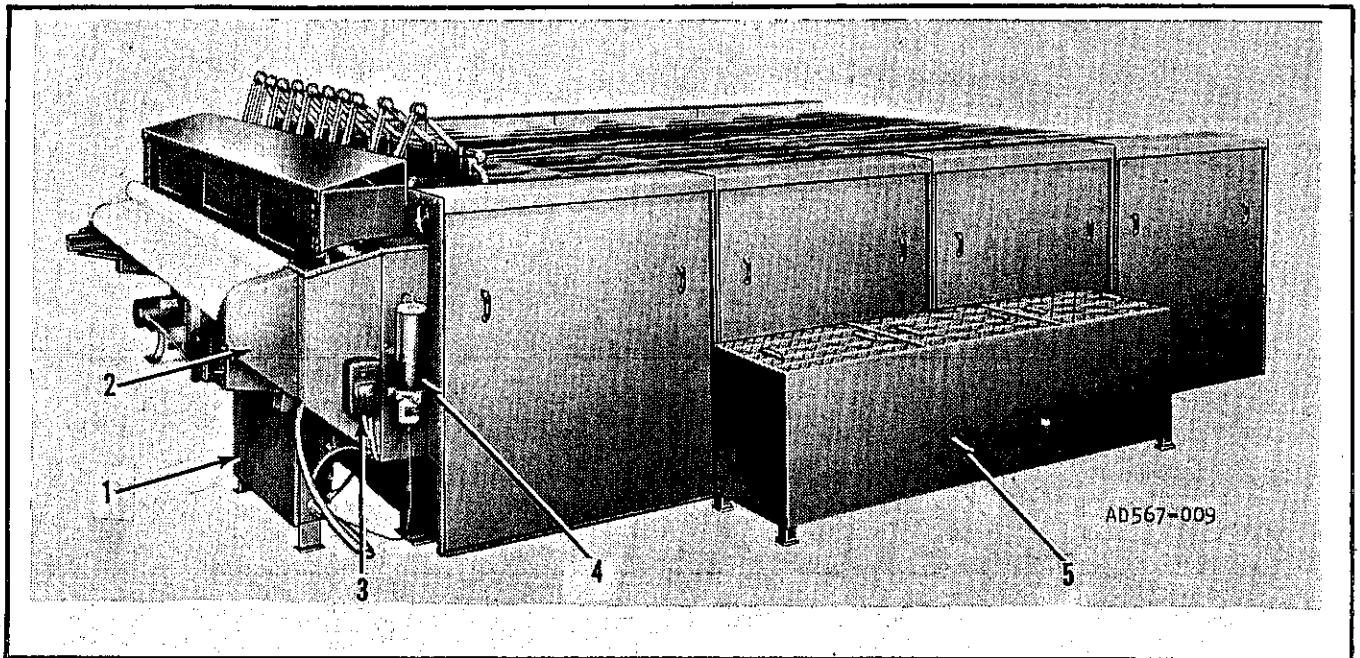


Figure 6-1. Right Front Photographic View of Class 160 Flatwork Ironer

1. ELECTRICAL CONTROL ASSEMBLY (See figures 29 thru 32.)
2. FRONT ASSEMBLY (See figure 16.)
3. MACHINE ELECTRICAL PARTS (See figure 25.)
4. DRIP PAN AND LUBRICATION SYSTEM (See figure 20.)
5. MOTOR DRIVE ASSEMBLY (See figure 3.)

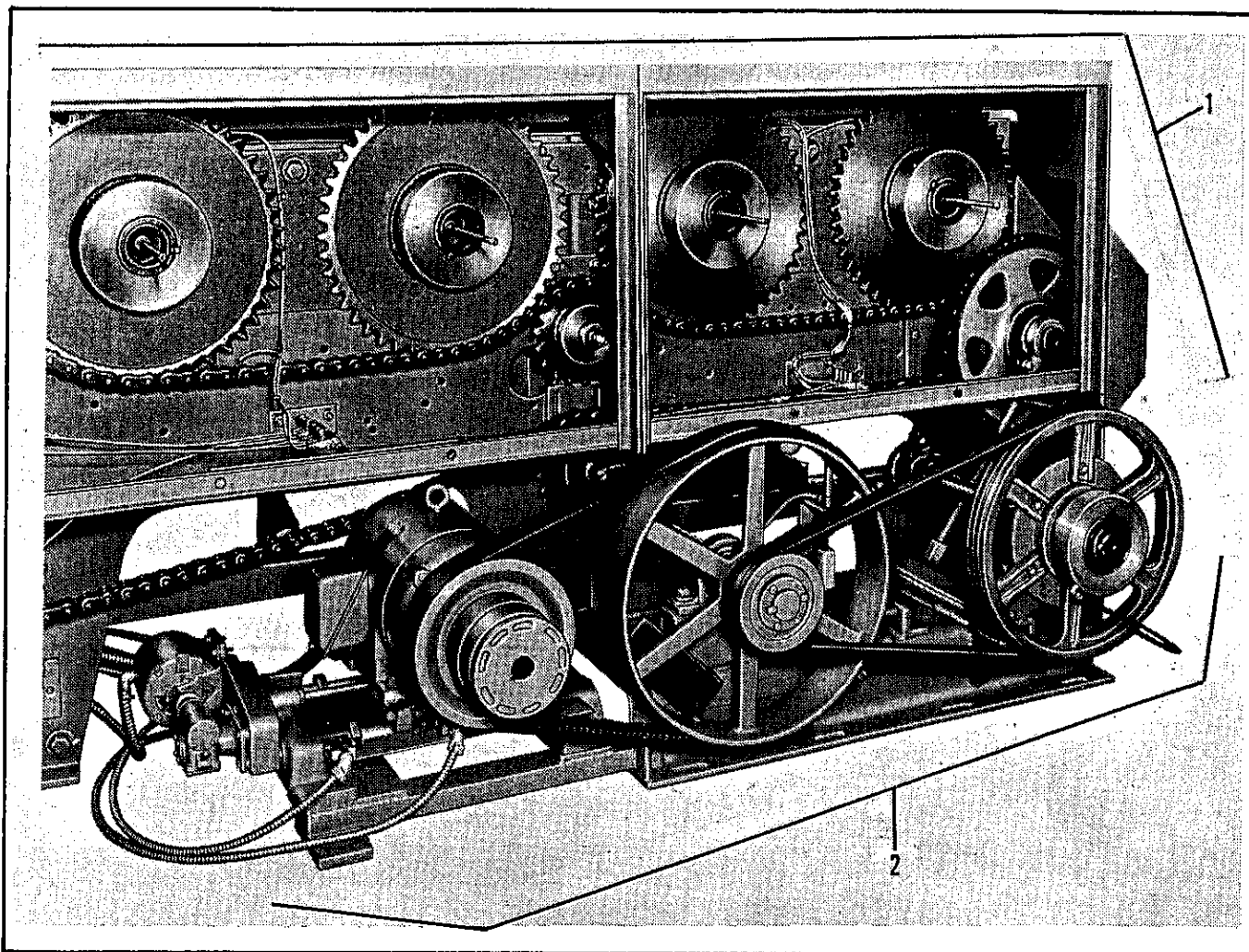


Figure 6-2. Photographic View of Motor Drive Assembly and Roll Drive

1. MOTOR DRIVE ASSEMBLY (See figure 3.)
2. ADDITIONAL PARTS REQUIRED FOR 2,3,4,5, 6,7 and 8 ROLL DRIVE (See figures 4,5, 6,7,8,9 and 10.)
3. LUBRICATION SYSTEM (See figure 19.)

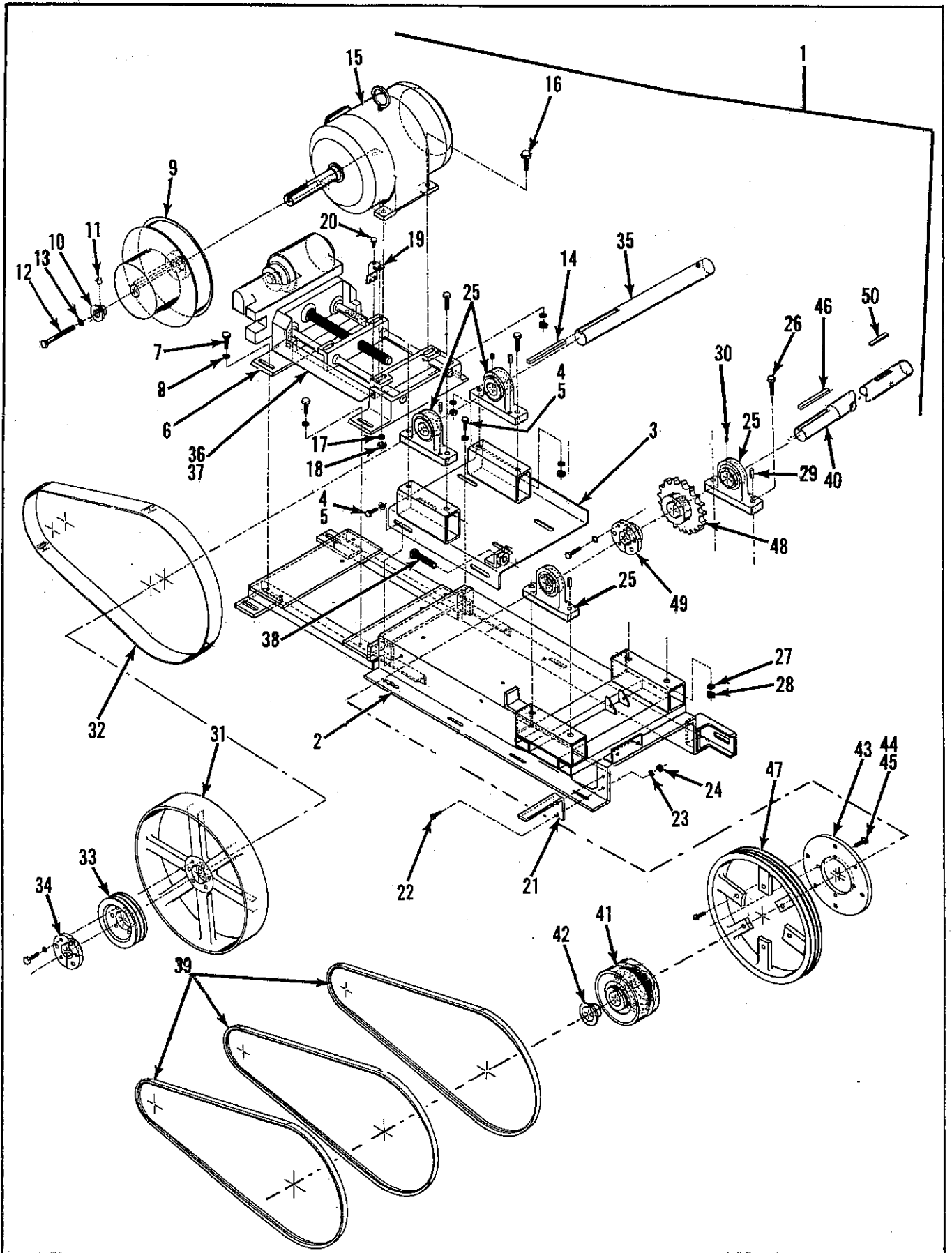


Figure 6-3. Motor Drive Assembly

| ITEM NO. | PART NO. | DESCRIPTION | | | | | | | MFRS. CODE | UNITS PER ASSY |
|----------|----------|---|---|---|---|---|---|---|------------|----------------|
| | | 1 | 2 | 3 | 4 | 5 | 6 | 7 | | |
| -1 | | DRIVE ASSY, flat work ironer (Specify one of the following:) | | | | | | | | 1 |
| -1-1 | 160-0120 | DRIVE ASSY, flat work ironer 3-3/4-7-1/2 hp 2 speed motor | | | | | | | | |
| -1-2 | 160-0121 | DRIVE ASSY, flat work ironer 7-1/2-15 hp 2 speed motor | | | | | | | | |
| -1-3 | 160-0122 | DRIVE ASSY, flat work ironer 10-20 hp 2 speed motor | | | | | | | | |
| -2 | 160-063 | BASE, drive | | | | | | | | 1 |
| -3 | 160-062 | PLATE, top | | | | | | | | 1 |
| -4 | C-62160 | (ATTACHING PARTS) BOLT, 5/8-11 x 1-1/2 in. lg hex. hd | | | | | | | | 10 |
| -5 | C-80529 | WASHER, 5/8in. id flat | | | | | | | | 10 |
| -6 | | MOTOR BASE, adjustable (For breakdown see figures 12 & 13.) (Specify one of the following:) | | | | | | | 96432 | 1 |
| -6-1 | 141-1815 | MOTOR BASE, adjustable for motor frame 215T 200v-208v/3ph/60Hz 7-1/2 hp (3BH10) | | | | | | | 96432 | |
| -6-2 | 141-1816 | MOTOR BASE, adjustable for motor frame 215T 220v-240v/440v-480v/3ph/60Hz 7-1/2 hp (3BH10) | | | | | | | 96432 | |
| -6-3 | 141-1817 | MOTOR BASE, adjustable for motor frame 215T 550v-600v/3ph/60Hz 7-1/2 hp (3BH10) | | | | | | | 96432 | |
| -6-4 | 141-1818 | MOTOR BASE, adjustable for motor frame 256T and 284T 200v-208v/3ph/60Hz 15-20 hp (4BH9) | | | | | | | 96432 | |
| -6-5 | 141-1819 | MOTOR BASE, adjustable for motor frame 256T and 284T 220v-240v/440v-480v/3ph/60Hz 15-20 hp (4BH9) | | | | | | | 96432 | |
| -6-6 | 141-1820 | MOTOR BASE, adjustable for motor frame 256T and 284T 550v-600v/3ph/60Hz 20 hp (4BH9) | | | | | | | 96432 | |
| -6-7 | 141-1861 | MOTOR BASE, adjustable for motor frame 215T 220v-380v/3ph/50Hz 7-1/2 hp (3BH10) | | | | | | | 96432 | |
| -6-8 | 141-1862 | MOTOR BASE, adjustable for motor frame 215T 400v-440v/3ph/50Hz 7-1/2 hp (3BH10) | | | | | | | 96432 | |
| -6-9 | 141-1863 | MOTOR BASE, adjustable for motor frame 256T and 284T 220v-380v/3ph/50Hz 15 hp (4BH9) | | | | | | | 96432 | |
| -6-10 | 141-1864 | MOTOR BASE, adjustable for motor frame 256T and 284T 400v-440v/3ph/50Hz 15 hp (4BH9) | | | | | | | 96432 | |
| -7 | C-62162 | (ATTACHING PARTS) BOLT, 5/8-11 x 1-1/2 in. lg hex. hd | | | | | | | | 4 |

PRODUCT CODE 152

| ITEM NO. | PART NO. | DESCRIPTION | | | | | | | MFRS. CODE | UNITS PER ASSY |
|----------|----------|-------------|---|---|---|---|---|---|------------|----------------|
| | | 1 | 2 | 3 | 4 | 5 | 6 | 7 | | |
| -8 | C-85529 | | | | | | | | | 4 |
| -9 | | | | | | | | | 96432 | 1 |
| -9-1 | 1005909 | | | | | | | | 96432 | |
| -9-2 | 1005891 | | | | | | | | 96432 | |
| -9-3 | 1005792 | | | | | | | | 96432 | |
| -10 | 141-1925 | | | | | | | | | 1 |
| -11 | C-55035 | | | | | | | | | 1 |
| -12 | C-63469 | | | | | | | | | 1 |
| -13 | C-43301 | | | | | | | | | 1 |
| -14 | | | | | | | | | | |
| -15 | | | | | | | | | | |
| -15-1 | 141-1796 | | | | | | | | | |
| -15-2 | 141-1797 | | | | | | | | | |
| -15-3 | 141-1798 | | | | | | | | | |
| -15-4 | 141-1799 | | | | | | | | | |
| -15-5 | 141-1800 | | | | | | | | | |
| -15-6 | 141-1801 | | | | | | | | | |
| -15-7 | 141-1802 | | | | | | | | | |
| -15-8 | 141-1803 | | | | | | | | | |
| -15-9 | 141-1804 | | | | | | | | | |
| -15-10 | 141-1805 | | | | | | | | | |
| -15-11 | 141-1806 | | | | | | | | | |
| -15-12 | 141-1807 | | | | | | | | | |
| -15-13 | 141-1855 | | | | | | | | | |
| -15-14 | 141-1856 | | | | | | | | | |
| -15-15 | 141-1857 | | | | | | | | | |
| -15-16 | 141-1858 | | | | | | | | | |
| -15-17 | 141-1871 | | | | | | | | | |
| -15-18 | 141-1872 | | | | | | | | | |

PRODUCT CODE 152

| ITEM NO. | PART NO. | DESCRIPTION | | | | | | | MFRS. CODE | UNITS PER ASSY |
|----------|----------|-------------|---|---|---|---|---|---|------------|----------------|
| | | 1 | 2 | 3 | 4 | 5 | 6 | 7 | | |
| -16 | C-62164 | | | | | | | (ATTACHING PARTS) BOLT, 5/8-11 x 2-1/4 in.lg hex.hd | | 4 |
| -17 | C-43217 | | | | | | | LOCKWASHER, 5/8 in. | | 4 |
| -18 | C-48019 | | | | | | | NUT, 5/8-11 hex. - - - * - - - | | 4 |
| -19 | 441-1791 | | | | | | | BRACKET, actuating switch (ATTACHING PARTS) | | 1 |
| -20 | C-62463 | | | | | | | SCREW, 1/4-10 x 1 in. lg hex.hd - - - * - - - | | 2 |
| -21 | 160-684 | | | | | | | BRACKET, air line (ATTACHING PARTS) | | |
| -22 | C-62110 | | | | | | | SCREW, 5/16-16 x 1-1/4in.lg hex. hd | | 2 |
| -23 | C-43211 | | | | | | | LOCKWASHER, 5/16 in. | | 2 |
| -24 | C-48010 | | | | | | | NUT, hex. 5/16-18 - - - * - - - | | 2 |
| -25 | 1005875 | | | | | | | BEARING BLOCK, 2-1/4in.bore (PB350) (ATTACHING PARTS) | 71176 | 4 |
| -26 | C-62162 | | | | | | | BOLT, 5/8-11 x 1-1/2in.lg hex.hd | | 8 |
| -27 | C-85529 | | | | | | | WASHER, 5/8in.id flat | | 8 |
| -28 | 160-620 | | | | | | | NUT, bearing mount - - - * - - - | | 8 |
| -29 | C-54668 | | | | | | | PIN, roll 59-048-250-1250 | | 4 |
| -30 | C-62556 | | | | | | | SCREW, 5/16-18 x 3/8in.lg half dog set | | 2 |
| -31 | | | | | | | | PULLEY, companion flat (Specify one of the following:) | 96432 | 1 |
| -31-1 | 1005917 | | | | | | | PULLEY, companion flat 32-24 3-3/4 hp - 7-1/2 hp | 96432 | |
| -31-2 | 1005800 | | | | | | | PULLEY, companion flat 42-24 7-1/2 hp - 20 hp | 96432 | |
| -32 | | | | | | | | BELT, (Specify one of the fol- lowing:) | 96432 | 1 |
| -32-1 | 1005925 | | | | | | | BELT (4430V1030) 3-3/4-7-1/2 hp | 96432 | |
| -32-2 | 1005818 | | | | | | | BELT (4430V1030) 7-1/2-15hp, 15-20hp | 96432 | |
| -33 | | | | | | | | SHEAVE (Specify one of the following:) | 71176 | |
| -33-1 | 1005933 | | | | | | | SHEAVE (3Q5V71) 3-3/4-7-1/2hp | 71176 | 1 |
| -33-2 | 1005826 | | | | | | | SHEAVE (3Q5V75) 7-1/2-15, 15-20hp | 71176 | 1 |
| -34 | 1029206 | | | | | | | BUSHING, 2-1/4 in.bore (Q1) | 76117 | 2 |
| -35 | 160-621 | | | | | | | SHAFT | | 1 |
| -36 | 141-1844 | | | | | | | BRACKET, micro switch mounting (ATTACHING PARTS) | | 1 |
| -37 | C-62463 | | | | | | | SCREW, 1/4-20 x 1 in.lg hex.hd - - - * - - - | | 2 |
| -38 | C-63303 | | | | | | | SCREW, 1-8 x 4in.lg sq hd set | | 1 |
| -39 | 1005842 | | | | | | | BELT, (5V10160) | 71176 | 3 |
| -40 | 160-622 | | | | | | | SHAFT | | 1 |
| -41 | 1005859 | | | | | | | CLUTCH (5H70P) (For breakdown see figure 15.) | 31875 | 1 |

| ITEM NO. | PART NO. | DESCRIPTION | | | | | | | MFRS. CODE | UNITS PER ASSY |
|----------|----------|-------------|---|---|---|---|---|---|------------|----------------|
| | | 1 | 2 | 3 | 4 | 5 | 6 | 7 | | |
| -42 | 1012160 | | | | | | | | 31875 | 1 |
| -43 | 160-31 | | | | | | | | | 1 |
| -44 | C-62027 | | | | | | | | | 6 |
| -45 | C-43217 | | | | | | | | | 6 |
| -46 | | | | | | | | | | 1 |
| -47 | 160-30 | | | | | | | | | 1 |
| -48 | | | | | | | | | 31875 | 1 |
| -48-1 | 1029164 | | | | | | | | 31875 | |
| -48-2 | 1029172 | | | | | | | | 31875 | |
| -48-3 | 1029180 | | | | | | | | 31875 | |
| -48-4 | 1005867 | | | | | | | | 31875 | |
| -48-5 | 1029198 | | | | | | | | 31875 | |
| -48-6 | 1046556 | | | | | | | | 31875 | |
| -48-7 | 1046564 | | | | | | | | 31875 | |
| -48-8 | 1046572 | | | | | | | | 31875 | |
| -49 | 1029206 | | | | | | | | 31875 | 1 |
| -50 | | | | | | | | | | 1 |

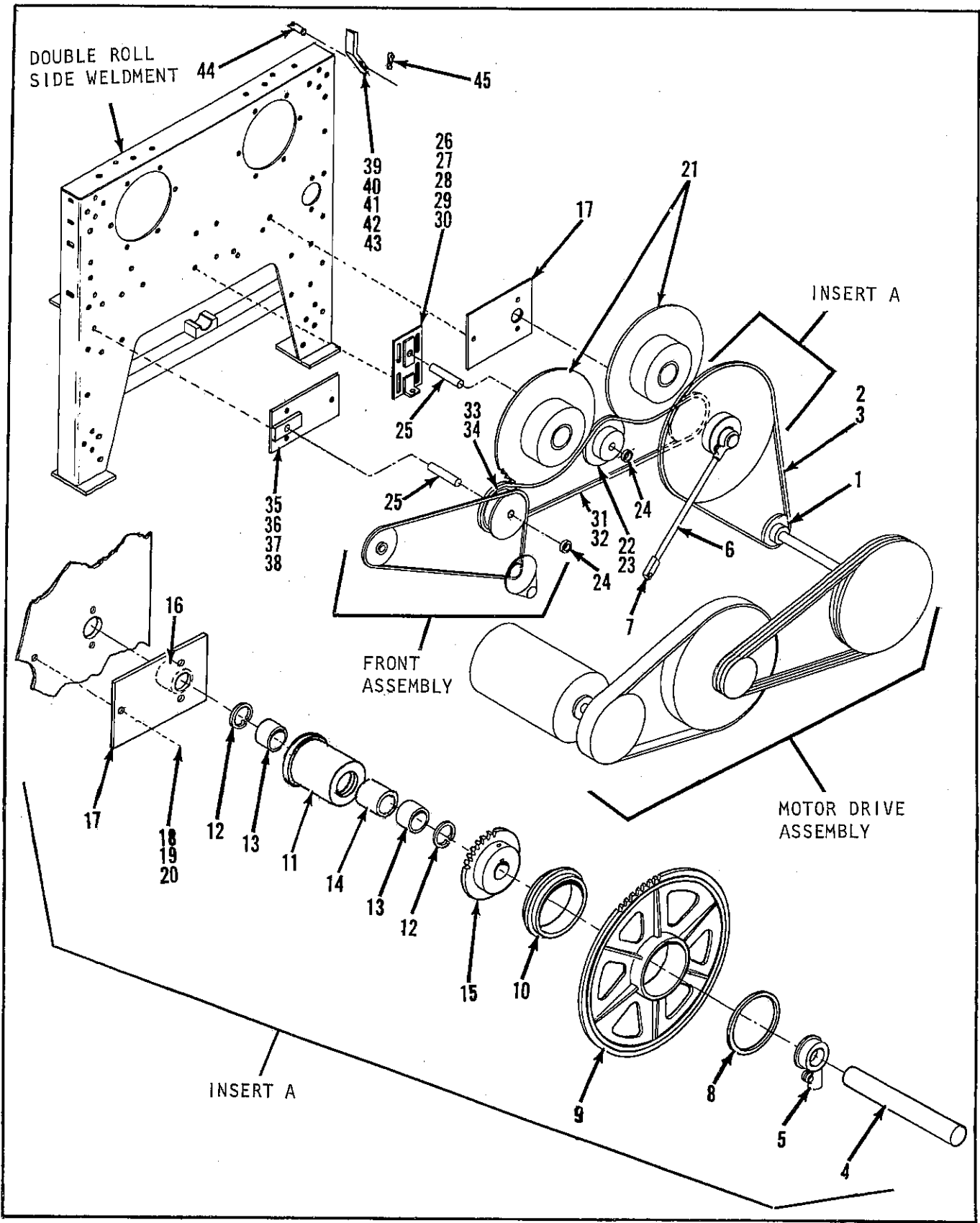


Figure 6-4. Two Roll Drive and Connecting Frame

PRODUCT CODE 152

| ITEM NO. | PART NO. | DESCRIPTION | | | | | | | MFRS. CODE | UNITS PER ASSY |
|----------|----------|--|---|---|---|---|---|---|------------|----------------|
| | | 1 | 2 | 3 | 4 | 5 | 6 | 7 | | |
| | 160-0622 | ADDITIONAL PARTS REQUIRED FOR | | | | | | | | |
| -1 | | 2 ROLL DRIVE AND CONNECTING FRAME | | | | | | | | ref |
| -2 | M-92083 | SPROCKET, drive | | | | | | | | a/r |
| -3 | C-42588 | CHAIN, 1-1/4 in. pitch roller(100) | | | | | | | | 1 |
| -4 | 160-68 | LINK, chain connect (100) | | | | | | | | 1 |
| -5 | 141-107 | STUD, main drive | | | | | | | | 1 |
| -6 | 141-62- | COLLAR, strut | | | | | | | | 1 |
| -7 | 160-692 | STRUT | | | | | | | | 1 |
| -8 | 160-158 | STRUT END | | | | | | | | 1 |
| -9 | 141-4126 | WASHER, thrust | | | | | | | | 1 |
| -10 | 141-6784 | SPROCKET, main drive | | | | | | | | 1 |
| -11 | 160-061 | SPACER, drive | | | | | | | | 1 |
| -12 | C-58986 | HUB ASSY, main drive | | | | | | | | 1 |
| -13 | C-16043 | RING, retaining | | | | | | | 60399 | 2 |
| -14 | 160-128 | BEARING, roller (HJ-445628) | | | | | | | | 2 |
| -15 | 160-042 | SPACER | | | | | | | | 1 |
| -16 | C-62320 | SPROCKET, chain drive | | | | | | | | 1 |
| -17 | 160-0111 | SCREW, 1/2-13 x 3/4 in. lg set | | | | | | | | 1 |
| -18 | C-62164 | PLATE, jack shaft base | | | | | | | | 1 |
| -19 | C-43320 | (ATTACHING PARTS) | | | | | | | | |
| -20 | C-48202 | SCREW, 5/8-11 x 2-1/4 in. lg hex. hd | | | | | | | | 3 |
| -21 | 160-041 | LOCKWASHER, 1/2 in. cad. pl | | | | | | | | 3 |
| -22 | 160-043 | NUT, 5/8-11 cad. pl hex. | | | | | | | | 3 |
| -23 | C-14673 | - - - * - - - | | | | | | | | |
| -24 | C-22276 | SPROCKET (For breakdown see fig.11.) | | | | | | | | ref |
| -25 | 160-611 | IDLER SPROCKET ASSY | | | | | | | | 1 |
| -26 | 160-0108 | BEARING (MR-24-N) | | | | | | | 92563 | 2 |
| -27 | C-62433 | COLLAR, 1-1/2 in. set | | | | | | | | 2 |
| -28 | C-80516 | SHAFT, right hand thread idler | | | | | | | | 2 |
| -29 | C-43330 | BRACKET, short adjustable mounting | | | | | | | | 1 |
| -30 | 10-2045 | (ATTACHING PARTS) | | | | | | | | |
| -31 | M-92096 | SCREW, 1/2-13 x 1-1/2 in. lg hex. hd | | | | | | | | 4 |
| -32 | 1007400 | WASHER, 1/2 in. | | | | | | | | 4 |
| -33 | 160-045 | LOCKWASHER, 1/2 in. cad. pl | | | | | | | | 4 |
| -34 | C-14673 | NUT (74-11-150-13) | | | | | | | | 4 |
| -35 | 160-0112 | - - - * - - - | | | | | | | | |
| -36 | C-62502 | CHAIN, 1-1/2 in. pitch roller(120) | | | | | | | | a/r |
| -37 | C-43320 | LINK, chain connecting (120) | | | | | | | | 1 |
| -38 | C-48202 | SPROCKET, feed end | | | | | | | | 1 |
| -39 | 141-179 | BEARING (MR-24-N) | | | | | | | 92563 | 2 |
| -40 | 1003177 | BRACKET; 1st idler feed end | | | | | | | | 1 |
| | | (ATTACHING PARTS) | | | | | | | | |
| | | SCREW, 5/8-11 x 1-1/2 in. cad. pl hex hd | | | | | | | | 3 |
| | | LOCKWASHER, 5/8 in. | | | | | | | | 3 |
| | | NUT, 5/8-11 cad. pl hex. | | | | | | | | 3 |
| | | - - - * - - - | | | | | | | | |
| | | BRACKET, rear tape | | | | | | | | 2 |
| | | (ATTACHING PARTS) | | | | | | | | |
| | | SCREW, 1/2-13 x 2-1/4 in. lg hex. hd | | | | | | | | 2 |

PRODUCT CODE 152

| ITEM NO. | PART NO. | DESCRIPTION | | | | | | | MFRS. CODE | UNITS PER ASSY |
|----------|----------|-------------|---|---|---|---|---|---|------------|----------------|
| | | 1 | 2 | 3 | 4 | 5 | 6 | 7 | | |
| -41 | C-80760 | | | | | | | | | 2 |
| -42 | C-43361 | | | | | | | | | 2 |
| -43 | 1000-43 | | | | | | | | | 2 |
| | | | | | | | | | | |
| -44 | 141-7022 | | | | | | | | | 1 |
| -45 | C-54536 | | | | | | | | | 2 |

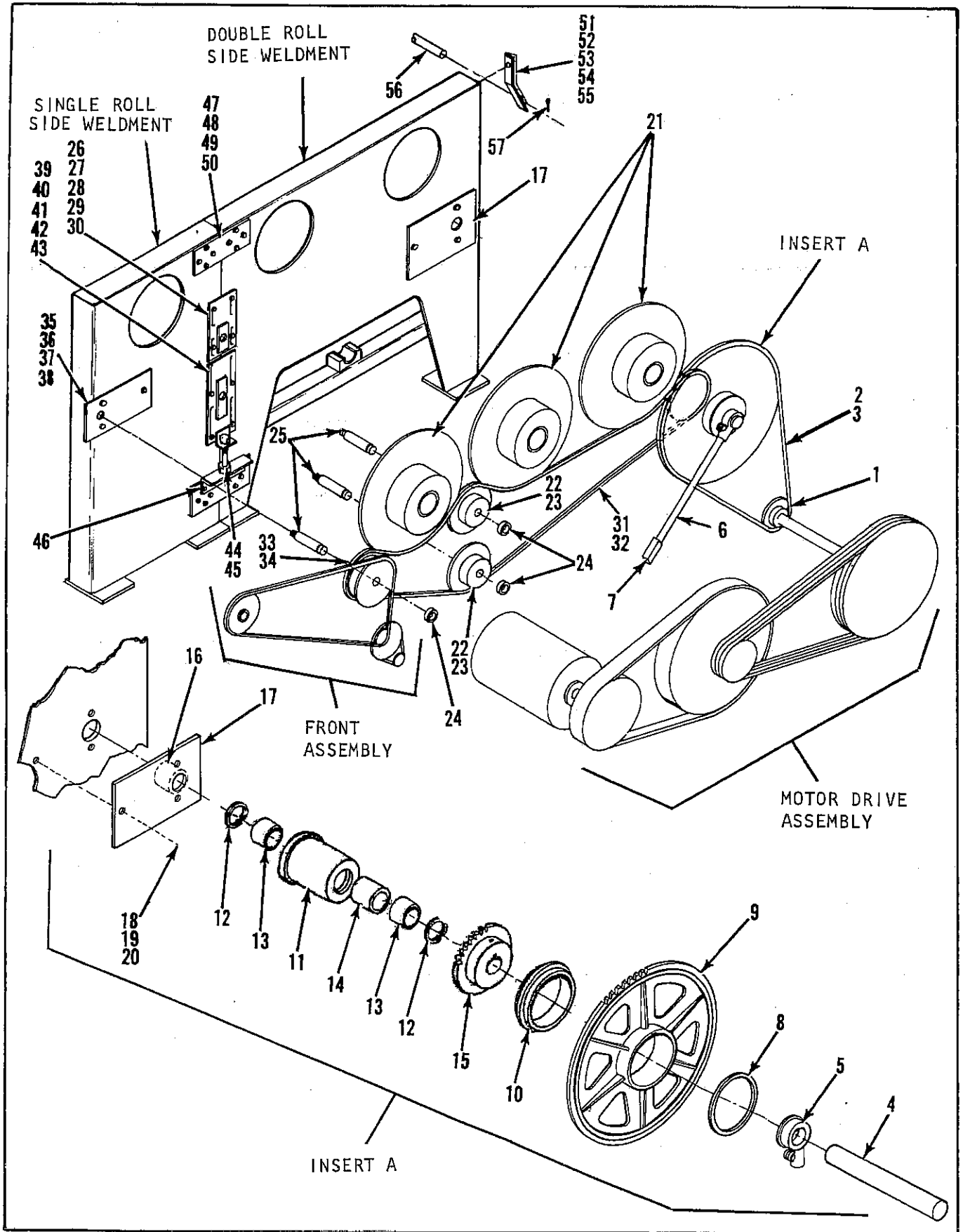


Figure 6-5. Three Roll Drive and Connecting Frame

| ITEM NO. | PART NO. | DESCRIPTION | | | | | | | MFRS. CODE | UNITS PER ASSY |
|----------|----------|---|---|---|---|---|---|---|------------|----------------|
| | | 1 | 2 | 3 | 4 | 5 | 6 | 7 | | |
| | 160-0623 | ADDITIONAL PARTS REQUIRED FOR 3-ROLL DRIVE AND CONNECTING FRAME | | | | | | | | |
| -1 | | SPROCKET, drive | | | | | | | | ref |
| -2 | M-92083 | CHAIN, 1-1/4 in. pitch roller (100) | | | | | | | | a/r |
| -3 | C-42588 | LINK, chain connect (100) | | | | | | | | 1 |
| -4 | 160-68 | STUD, main drive | | | | | | | | 1 |
| -5 | 141-107 | COLLAR, strut | | | | | | | | 1 |
| -6 | 141-627 | STRUT | | | | | | | | 1 |
| -7 | 160-692 | STRUT END | | | | | | | | 1 |
| -8 | 160-158 | WASHER, thrust | | | | | | | | 1 |
| -9 | 141-4126 | SPROCKET, main drive | | | | | | | | 1 |
| -10 | 141-6784 | SPACER, drive | | | | | | | | 1 |
| -11 | 160-061 | HUB ASSY, main drive | | | | | | | | 1 |
| -12 | C-58986 | RING, retaining | | | | | | | | 2 |
| -13 | C-16043 | BEARING, roller (HJ-445628) | | | | | | | 60399 | 2 |
| -14 | 160-128 | SPACER | | | | | | | | 1 |
| -15 | 160-042 | SPROCKET, chain drive | | | | | | | | 1 |
| -16 | C-62320 | SCREW, 1/2-13 x 3/4 in. lg set | | | | | | | | 1 |
| -17 | 160-0111 | PLATE, jack shaft base | | | | | | | | 1 |
| | | (ATTACHING PARTS) | | | | | | | | |
| -18 | C-62164 | SCREW, 5/8-11 x 2-1/4 in. lg hex. hd | | | | | | | | 3 |
| -19 | C-43320 | LOCKWASHER, 1/2 in. cad. pl | | | | | | | | 3 |
| -20 | C-48202 | NUT, 5/8-11 cad. pl hex. | | | | | | | | 3 |
| | | - - - * - - - | | | | | | | | |
| -21 | 160-041 | SPROCKET (For breakdown see fig. 11.) | | | | | | | | ref |
| -22 | 160-043 | IDLER SPROCKET ASSY | | | | | | | | 2 |
| -23 | C-14673 | BEARING (MR-24-N) | | | | | | | 92563 | 2 |
| -24 | C-22276 | COLLAR, 1-1/2 in. set | | | | | | | | 3 |
| -25 | 160-611 | SHAFT, right hand thread idler | | | | | | | | 3 |
| -26 | 160-0107 | BRACKET, short idler mounting | | | | | | | | 1 |
| | | (ATTACHING PARTS) | | | | | | | | |
| -27 | C-62433 | SCREW, 1/2-13 x 1-1/2 in. lg hex. hd | | | | | | | | 4 |
| -28 | C-80516 | WASHER, 1/2 in. | | | | | | | | 4 |
| -29 | C-43330 | LOCKWASHER, 1/2 in. cad. pl | | | | | | | | 4 |
| -30 | 1022045 | NUT (74-11-150-13) | | | | | | | | 4 |
| | | - - - * - - - | | | | | | | | |
| -31 | M-92096 | CHAIN, 1-1/2 in. pitch roller (120) | | | | | | | | a/r |
| -32 | 1007400 | LINK, chain connecting (120) | | | | | | | | 1 |
| -33 | 160-045 | SPROCKET, feed end | | | | | | | | 1 |
| -34 | C-14673 | BEARING (MR-24-N) | | | | | | | 92563 | 2 |
| -35 | 160-0112 | BRACKET, 1st idler feed end | | | | | | | | 1 |
| | | (ATTACHING PARTS) | | | | | | | | |
| -36 | C-62502 | SCREW, 5/8-11 x 1-1/2 in. cad. pl hex. hd | | | | | | | | 3 |
| -37 | C-43320 | LOCKWASHER, 5/8 in. | | | | | | | | 3 |
| -38 | C-48202 | NUT, 5/8-11 cad. pl hex. | | | | | | | | 3 |
| | | - - - * - - - | | | | | | | | |
| -39 | 160-0110 | BRACKET, long idler mounting | | | | | | | | 1 |

PRODUCT CODE 152

| ITEM NO. | PART NO. | DESCRIPTION | | | | | | | MFRS. CODE | UNITS PER ASSY |
|----------|----------|---|---|---|---|---|---|---|------------|----------------|
| | | 1 | 2 | 3 | 4 | 5 | 6 | 7 | | |
| | | (ATTACHING PARTS) | | | | | | | | |
| -40 | C-62433 | | | | | | | | | 4 |
| | | SCREW, 1/2-13 x 1-1/2 In. Lg Hex. Hd | | | | | | | | |
| -41 | C-80516 | | | | | | | | | 4 |
| | | WASHER, 1/2 In. | | | | | | | | |
| -42 | C-43330 | | | | | | | | | 4 |
| | | LOCKWASHER, 1/2 In. Cad. Pl | | | | | | | | |
| -43 | 1022045 | | | | | | | | | 4 |
| | | NUT (74-11-150-13) | | | | | | | | |
| | | - - - * - - - | | | | | | | | |
| -44 | 1022052 | | | | | | | | | 1 |
| | | SCREW, 5/8-11 x 9 In. Lg | | | | | | | | |
| -45 | C-48202 | | | | | | | | | 1 |
| | | NUT, 5/8-11 Cad. Pl Hex. | | | | | | | | |
| -46 | 160-142 | | | | | | | | | 1 |
| | | ANGLE, adjusting | | | | | | | | |
| -47 | 160-127 | | | | | | | | | 4 |
| | | PLATE, tie | | | | | | | | |
| | | (ATTACHING PARTS) | | | | | | | | |
| -48 | C-62502 | | | | | | | | | 16 |
| | | SCREW, 5/8-11 x 1-1/2 In. Cad. Pl Hex. Hd | | | | | | | | |
| -49 | C-43320 | | | | | | | | | 16 |
| | | LOCKWASHER, 5/8 In. Cad. Pl | | | | | | | | |
| -50 | C-48202 | | | | | | | | | 16 |
| | | NUT, 5/8-11 Cad. Pl Hex. | | | | | | | | |
| | | - - - * - - - | | | | | | | | |
| -51 | 141-179 | | | | | | | | | 2 |
| | | BRACKET, rear tape | | | | | | | | |
| | | (ATTACHING PARTS) | | | | | | | | |
| -52 | 1003177 | | | | | | | | | 2 |
| | | SCREW, 1/2-13 x 2-1/4 In. Lg Hex. Hd | | | | | | | | |
| -53 | C-80760 | | | | | | | | | 2 |
| | | WASHER, 9/16 In. ID | | | | | | | | |
| -54 | C-43361 | | | | | | | | | 2 |
| | | LOCKWASHER, 9/16 In. ID | | | | | | | | |
| -55 | 1000843 | | | | | | | | | 2 |
| | | NUT, 1/2-13 Hex. | | | | | | | | |
| | | - - - * - - - | | | | | | | | |
| -56 | 141-022 | | | | | | | | | 1 |
| | | BAR | | | | | | | | |
| -57 | C-54536 | | | | | | | | | 2 |
| | | PIN, 1/8 In. Dia x 2 In. Lg cotter | | | | | | | | |

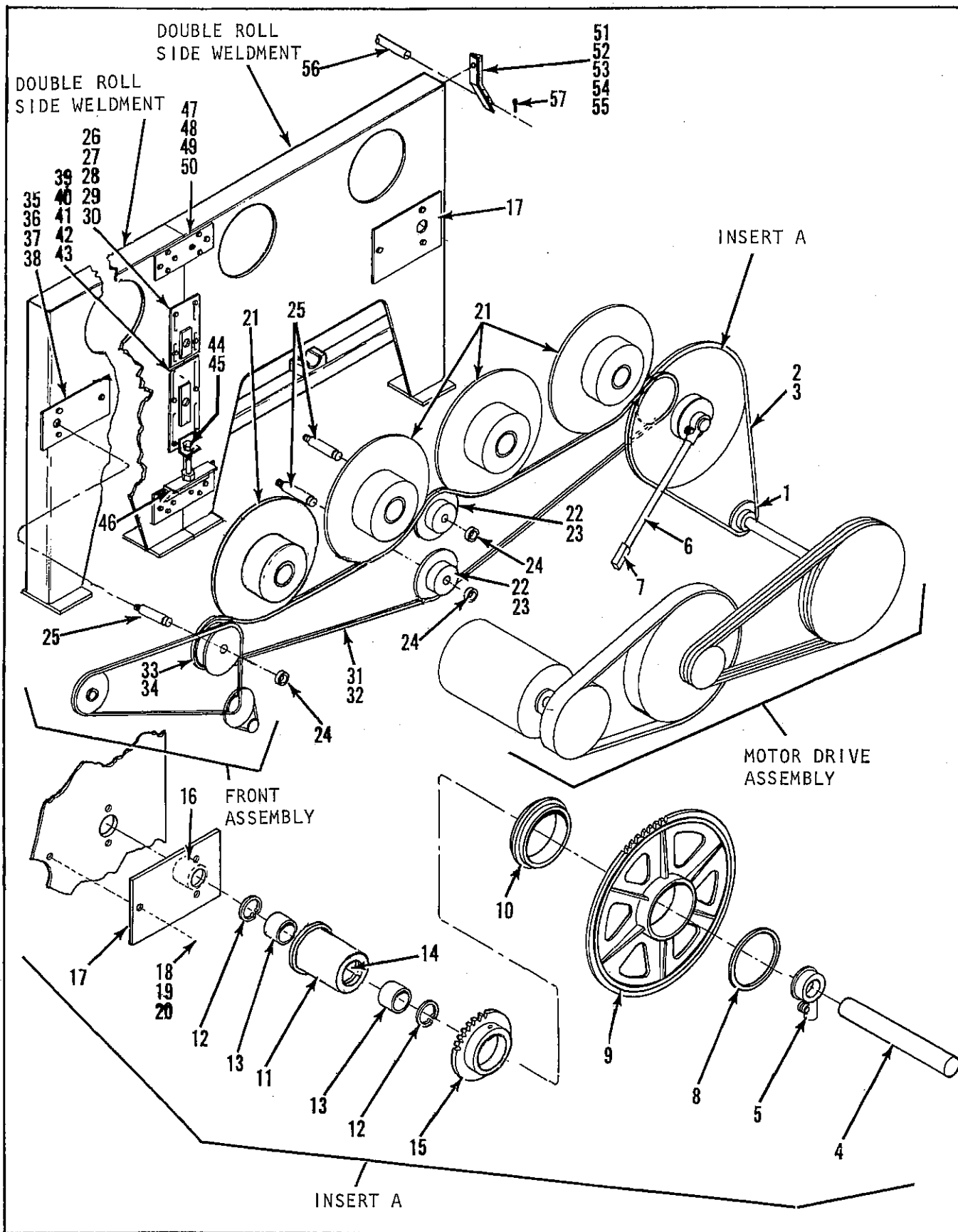


Figure 6-6. Four Roll Drive and Connecting Frame

PRODUCT CODE 152

| ITEM NO. | PART NO. | DESCRIPTION | | | | | | | MFRS. CODE | UNITS PER ASSY | |
|----------|----------|--|---|---|---|---|---|---|------------|----------------|---|
| | | 1 | 2 | 3 | 4 | 5 | 6 | 7 | | | |
| | 160-0624 | ADDITIONAL PARTS REQUIRED FOR 4-ROLL DRIVE AND CONNECTING FRAME | | | | | | | | | |
| -1 | | SPROCKET, drive | | | | | | | | ref | |
| -2 | M-92083 | CHAIN, 1-1/4 in. pitch roller (100) | | | | | | | | a/r | |
| -3 | C-42588 | LINK, chain connect (100) | | | | | | | | 1 | |
| -4 | 160-68 | TUD, main drive | | | | | | | | 1 | |
| -5 | T41-107 | COLLAR, strut | | | | | | | | 1 | |
| -6 | T41-627 | STRUT | | | | | | | | 1 | |
| -7 | 160-692 | STRUT END | | | | | | | | 1 | |
| -8 | 160-158 | WASHER, thrust | | | | | | | | 1 | |
| -9 | T41-4126 | SPROCKET, main drive | | | | | | | | 1 | |
| -10 | T41-6784 | SPACER, drive | | | | | | | | 1 | |
| -11 | 160-061 | HUB ASSY, main drive | | | | | | | | 1 | |
| -12 | C-58986 | RING, retaining | | | | | | | 60399 | 2 | |
| -13 | C-16043 | BEARING, roller (HJ-445628) | | | | | | | | 2 | |
| -14 | 160-128 | SPACER | | | | | | | | 1 | |
| -15 | 160-042 | SPROCKET, chain drive | | | | | | | | 1 | |
| -16 | C-62320 | SCREW, 1/2-13 x 3/4 in. lg set | | | | | | | | 1 | |
| -17 | 160-0111 | PLATE, jack shaft base (ATTACHING PARTS) | | | | | | | | 1 | |
| -18 | C-62164 | SCREW, 5/8-11 x 2-1/4 in. lg hex. hd | | | | | | | | 3 | |
| -19 | C-43320 | LOCKWASHER, 1/2 in. cad. pl | | | | | | | | 3 | |
| -20 | C-48202 | NUT, 5/8-11 cad. pl hex. - - - * - - - | | | | | | | | 3 | |
| -21 | 160-041 | SPROCKET (For breakdown see fig. 11.) | | | | | | | | ref | |
| -22 | 160-043 | IDLER SPROCKET ASSY | | | | | | | | 2 | |
| -23 | C-14673 | BEARING (MR-24-N) | | | | | | | | 92563 | 2 |
| -24 | C-22276 | COLLAR, 1-1/2 in. set | | | | | | | | | 3 |
| -25 | 160-611 | SHAFT, right hand thread idler | | | | | | | | | 3 |
| -26 | 160-0107 | BRACKET, short idler mounting (ATTACHING PARTS) | | | | | | | | | 1 |
| -27 | C-62433 | SCREW, 1/2-13 x 1-1/2 in. lg hex. hd | | | | | | | | | 4 |
| -28 | C-80516 | WASHER, 1/2 in. | | | | | | | | | 4 |
| -29 | C-43330 | LOCKWASHER, 1/2 in. cad. pl | | | | | | | 4 | | |
| -30 | 1022045 | NUT (74-11-150-13) - - - * - - - | | | | | | | 4 | | |
| -31 | M-92096 | CHAIN, 1-1/2 in. pitch roller (120) | | | | | | | a/r | | |
| -32 | 1007400 | LINK, chain connecting (120) | | | | | | | 1 | | |
| -33 | 160-045 | SPROCKET, feed end | | | | | | | 1 | | |
| -34 | C-14673 | BEARING (MR-24-N) | | | | | | | 92563 | 2 | |
| -35 | 160-0112 | BRACKET, 1st idler feed end (ATTACHING PARTS) | | | | | | | | 1 | |
| -36 | C-62502 | SCREW, 5/8-11 x 1-1/2 in. cad. pl hex. hd | | | | | | | 3 | | |
| -37 | C-43320 | LOCKWASHER, 5/8 in. | | | | | | | 3 | | |
| -38 | C-48202 | NUT, 5/8-11 cad. pl hex. - - - * - - - | | | | | | | 3 | | |
| -39 | 160-0110 | BRACKET, long idler mounting | | | | | | | 1 | | |

| ITEM NO. | PART NO. | DESCRIPTION | | | | | | | MFRS. CODE | UNITS PER ASSY |
|----------|----------|---|---|---|---|---|---|---|------------|----------------|
| | | 1 | 2 | 3 | 4 | 5 | 6 | 7 | | |
| | | (ATTACHING PARTS) | | | | | | | | |
| -40 | C-62433 | SCREW, 1/2-13 x 1-1/2 in. lg hex. hd | | | | | | | | 4 |
| -41 | C-80516 | WASHER, 1/2 in. | | | | | | | | 4 |
| -42 | C-43330 | LOCKWASHER, 1/2 in. cad. pl | | | | | | | | 4 |
| -43 | 1022045 | NUT (74-11-150-13) | | | | | | | | 4 |
| | | - - - * - - - | | | | | | | | |
| -44 | 1022052 | SCREW, 5/8-11 x 9 in. lg | | | | | | | | 1 |
| -45 | C-48202 | NUT, 5/8-11 cad. pl hex. | | | | | | | | |
| -46 | 160-142 | ANGLE, adjusting | | | | | | | | 1 |
| -47 | 160-127 | PLATE, tie | | | | | | | | 4 |
| | | (ATTACHING PARTS) | | | | | | | | |
| -48 | C-62502 | SCREW, 5/8-11 x 1-1/2 in. cad. pl hex. hd | | | | | | | | 16 |
| -49 | C-43320 | LOCKWASHER, 5/8 in. cad. pl | | | | | | | | 16 |
| -50 | C-48202 | NUT, 5/8-11 cad. pl hex. | | | | | | | | 16 |
| | | - - - * - - - | | | | | | | | |
| -51 | 141-179 | BRACKET, rear tape | | | | | | | | 2 |
| | | (ATTACHING PARTS) | | | | | | | | |
| -52 | 1003177 | SCREW, 1/2-13 x 2-1/4 in. lg hex. hd | | | | | | | | 2 |
| -53 | C-80760 | WASHER, 9/16 in. id | | | | | | | | 2 |
| -54 | C-43361 | LOCKWASHER, 9/16 in. id | | | | | | | | 2 |
| -55 | 1000843 | NUT, 1/2-13 hex. | | | | | | | | 2 |
| | | - - - * - - - | | | | | | | | |
| -56 | 141-022 | BAR | | | | | | | | 1 |
| -57 | C-54536 | PIN, 1/8 in. dia x 2 in. lg cotter | | | | | | | | 2 |

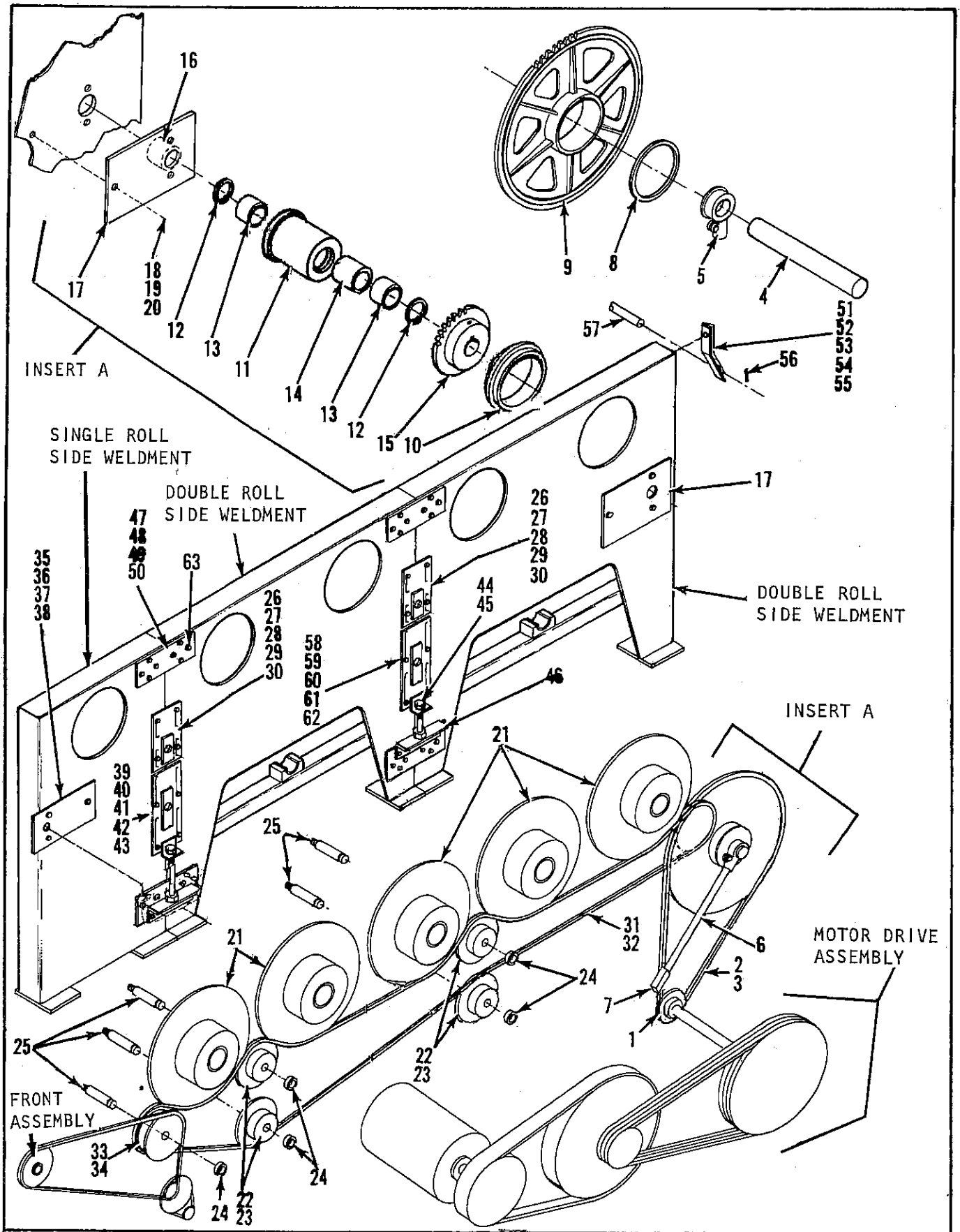


Figure 6-7. Five Roll Drive and Connecting Frame

PRODUCT CODE 152

| ITEM NO. | PART NO. | DESCRIPTION | | | | | | | MFRS. CODE | UNITS PER ASSY |
|----------|----------|---|---|---|---|---|---|---|------------|----------------|
| | | 1 | 2 | 3 | 4 | 5 | 6 | 7 | | |
| | 160-0625 | ADDITIONAL PARTS REQUIRED FOR 5-ROLL DRIVE AND CONNECTING FRAME | | | | | | | | |
| -1 | | SPROCKET, drive | | | | | | | | ref |
| -2 | M-92083 | CHAIN, 1-1/4 in. pitch roller (100) | | | | | | | | a/r |
| -3 | C-42588 | LINK, chain connect (100) | | | | | | | | 1 |
| -4 | 160-68 | STUD, main drive | | | | | | | | 1 |
| -5 | 141-107 | COLLAR, strut | | | | | | | | 1 |
| -6 | 141-627 | STRUT | | | | | | | | 1 |
| -7 | 160-692 | STRUT END | | | | | | | | 1 |
| -8 | 160-158 | WASHER, thrust | | | | | | | | 1 |
| -9 | 141-4126 | SPROCKET, main drive | | | | | | | | 1 |
| -10 | 141-6784 | SPACER, drive | | | | | | | | 1 |
| -11 | 160-061 | HUB ASSY, main drive | | | | | | | | 1 |
| -12 | C-58986 | RING, retaining | | | | | | | | 2 |
| -13 | C-16043 | BEARING, roller (HJ-445628) | | | | | | | 60399 | 2 |
| -14 | 160-128 | SPACER | | | | | | | | 1 |
| -15 | 160-042 | SPROCKET, chain drive | | | | | | | | 1 |
| -16 | C-62320 | SCREW, 1/2-13 x 3/4 in. lg set | | | | | | | | 1 |
| -17 | 160-0111 | PLATE, jack shaft base (ATTACHING PARTS) | | | | | | | | 1 |
| -18 | C-62164 | SCREW, 5/8-11 x 2-1/4 in. lg hex.hd | | | | | | | | 3 |
| -19 | C-43320 | LOCKWASHER, 1/2 in. cad.pl | | | | | | | | 3 |
| -20 | C-48202 | NUT, 5/8-11 cad. pl hex. - - - * - - - | | | | | | | | 3 |
| -21 | 160-041 | SPROCKET (For breakdown see fig.11.) | | | | | | | | ref |
| -22 | 160-043 | IDLER SPROCKET ASSY | | | | | | | | 4 |
| -23 | C-14673 | BEARING (MR-24-N) | | | | | | | 92563 | 4 |
| -24 | C-22276 | COLLAR, 1-1/2 in. set | | | | | | | | 5 |
| -25 | 160-612 | SHAFT, left hand thread idler | | | | | | | | 5 |
| -26 | 160-0107 | BRACKET, short idler mounting (ATTACHING PARTS) | | | | | | | | 2 |
| -27 | C-62433 | SCREW, 1/2-13 x 1-1/2 in. lg hex.hd | | | | | | | | 8 |
| -28 | C-80516 | WASHER, 1/2 in. | | | | | | | | 8 |
| -29 | C-43330 | LOCKWASHER, 1/2 in. cad. pl | | | | | | | | 8 |
| -30 | 10-2045 | NUT (74-11-150-13) - - - * - - - | | | | | | | | 8 |
| -31 | M-92096 | CHAIN, 1-1/2 in. pitch roller (120) | | | | | | | | a/r |
| -32 | 1007400 | LINK, chain connecting (120) | | | | | | | | 1 |
| -33 | 160-045 | SPROCKET, feed end | | | | | | | | 1 |
| -34 | C-14673 | BEARING (MR-24-N) | | | | | | | 92563 | 2 |
| -35 | 160-0112 | BRACKET, 1st idler feed end (ATTACHING PARTS) | | | | | | | | 1 |
| -36 | C-62502 | SCREW, 5/8-11 x 1-1/2 in. cad. pl hex. hd | | | | | | | | 3 |
| -37 | C-43320 | LOCKWASHER, 5/8 in. | | | | | | | | 3 |
| -38 | C-48202 | NUT, 5/8-11 cad. pl hex. - - - * - - - | | | | | | | | 3 |
| -39 | 160-0110 | BRACKET, long idler mounting | | | | | | | | 2 |

PRODUCT CODE 152

| ITEM NO. | PART NO. | DESCRIPTION | | | | | | | MFRS. CODE | UNITS PER ASSY |
|----------|----------|--|---|---|---|---|---|---|------------|----------------|
| | | 1 | 2 | 3 | 4 | 5 | 6 | 7 | | |
| | | (ATTACHING PARTS) | | | | | | | | |
| -40 | C-62433 | SCREW, 1/2-13 x 1-1/2 in. lg hex. hd | | | | | | | | 4 |
| -41 | C-80516 | WASHER, 1/2 in. | | | | | | | | 4 |
| -42 | C-43330 | LOCKWASHER, 1/2 in. cad. pl | | | | | | | | 4 |
| -43 | 1022045 | NUT (74-11-150-13) | | | | | | | | 4 |
| | | - - - * - - - | | | | | | | | |
| -44 | 1022052 | SCREW, 5/8-11 x 9 in. lg | | | | | | | | 1 |
| -45 | C-48202 | NUT, 5/8-11 cad. pl hex. | | | | | | | | 1 |
| -46 | 160-142 | ANGLE, adjusting | | | | | | | | 1 |
| -47 | 160-127 | PLATE, tie | | | | | | | | 4 |
| | | (ATTACHING PARTS) | | | | | | | | |
| -48 | C-62502 | SCREW, 5/8-11 x 1-1/2 in. cad. pl hex. hd | | | | | | | | 16 |
| -49 | C-43320 | LOCKWASHER, 5/8 in. cad. pl | | | | | | | | 16 |
| -50 | C-48202 | NUT, 5/8-11 cad. pl hex. | | | | | | | | 16 |
| | | - - - * - - - | | | | | | | | |
| -51 | 141-179 | BRACKET, rear tape | | | | | | | | 2 |
| | | (ATTACHING PARTS) | | | | | | | | |
| -52 | 1003177 | SCREW, 1/2-13 x 2-1/4 in. lg hex. hd | | | | | | | | 2 |
| -53 | C-80760 | WASHER, 9/16 in. id | | | | | | | | 2 |
| -54 | C-43361 | LOCKWASHER, 9/16 in. id | | | | | | | | 2 |
| -55 | 1000843 | NUT, 1/2-13 hex. | | | | | | | | 2 |
| | | - - - * - - - | | | | | | | | |
| -56 | 141-022 | BAR | | | | | | | | 1 |
| -57 | C-54536 | PIN, 1/8 in. dia x 2 in. lg cotter | | | | | | | | 2 |

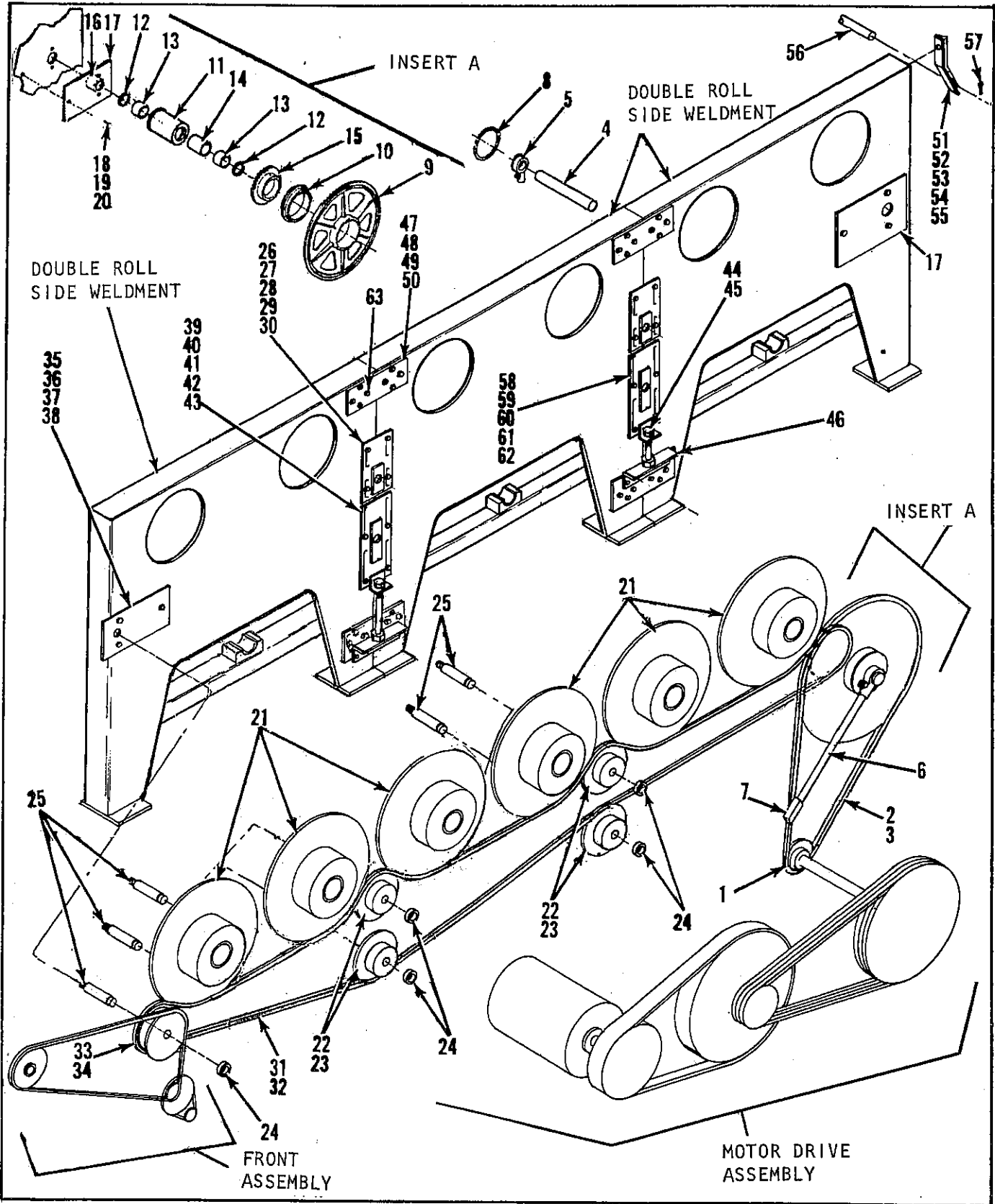


Figure 6-8. Six Roll Drive and Connecting Frame

PRODUCT CODE 152

| ITEM NO. | PART NO. | DESCRIPTION | | | | | | | MFRS. CODE | UNITS PER ASSY |
|----------|----------|--|---|---|---|---|---|---|------------|----------------|
| | | 1 | 2 | 3 | 4 | 5 | 6 | 7 | | |
| | 160-0626 | ADDITIONAL PARTS REQUIRED FOR 6-ROLL DRIVE AND CONNECTING FRAME | | | | | | | | |
| -1 | | SPROCKET, drive | | | | | | | | ref |
| -2 | M-92083 | CHAIN, 1-1/4 in. pitch roller (100) | | | | | | | | a/r |
| -3 | C-42588 | LINK, chain connect (100) | | | | | | | | 1 |
| -4 | 160-68 | STUD, main drive | | | | | | | | 1 |
| -5 | 141-107 | COLLAR, strut | | | | | | | | 1 |
| -6 | 141-627 | STRUT | | | | | | | | 1 |
| -7 | 160-692 | STRUT END | | | | | | | | 1 |
| -8 | 160-158 | WASHER, thrust | | | | | | | | 1 |
| -9 | 141-4126 | SPROCKET, main drive | | | | | | | | 1 |
| -10 | 141-6784 | SPACER, drive | | | | | | | | 1 |
| -11 | 160-061 | HUB ASSY, main drive | | | | | | | | 1 |
| -12 | C-58986 | RING, retaining | | | | | | | | 2 |
| -13 | C-16043 | BEARING, roller (HJ-445628) | | | | | | | 60399 | 2 |
| -14 | 160-128 | SPACER | | | | | | | | 1 |
| -15 | 160-042 | SPROCKET, chain drive | | | | | | | | 1 |
| -16 | C-62320 | SCREW, 1/2-13 x 3/4 in. lg set | | | | | | | | 1 |
| -17 | 160-0111 | PLATE, jack shaft base (ATTACHING PARTS) | | | | | | | | 1 |
| -18 | C-62164 | SCREW, 5/8-11 x 2-1/4 in. lg hex. hd | | | | | | | | 3 |
| -19 | C-43320 | LOCKWASHER, 1/2 in. cad. pl | | | | | | | | 3 |
| -20 | C-48202 | NUT, 5/8-11 cad. pl hex. - - - * - - - | | | | | | | | 3 |
| -21 | 160-041 | SPROCKET (For breakdown see fig.11.) | | | | | | | | ref |
| -22 | 160-043 | IDLER SPROCKET ASSY | | | | | | | | 4 |
| -23 | C-14673 | BEARING (MR-24-N) | | | | | | | 92563 | 4 |
| -24 | C-22276 | COLLAR, 1-1/2 in. set | | | | | | | | 5 |
| -25 | 160-612 | SHAFT, left hand thread idler | | | | | | | | 5 |
| -26 | 160-0107 | BRACKET, snort idler mounting (ATTACHING PARTS) | | | | | | | | 2 |
| -27 | C-62433 | SCREW, 1/2-13 x 1-1/2 in. lg hex. hd | | | | | | | | 8 |
| -28 | C-80516 | WASHER, 1/2 in. | | | | | | | | 8 |
| -29 | C-43330 | LOCKWASHER, 1/2 in. cad. pl | | | | | | | | 8 |
| -30 | 1022045 | NUT (74-11-150-13) - - - * - - - | | | | | | | | 8 |
| -31 | M-92096 | CHAIN, 1-1/2 in. pitch roller (120) | | | | | | | | a/r |
| -32 | 1007400 | LINK, chain connecting (120) | | | | | | | | 1 |
| -33 | 160-045 | SPROCKET, feed end | | | | | | | | 1 |
| -34 | C-14673 | BEARING (MR-24-N) | | | | | | | 92563 | 2 |
| -35 | 160-0112 | BRACKET, 1st idler feed end (ATTACHING PARTS) | | | | | | | | 1 |
| -36 | C-62502 | SCREW, 5/8-11 x 1-1/2 in. cad. pl hex. hd | | | | | | | | 3 |
| -37 | C-43320 | LOCKWASHER, 5/8 in. | | | | | | | | 3 |
| -38 | C-48202 | NUT, 5/8-11 cad. pl hex. - - - * - - - | | | | | | | | 3 |
| -39 | 160-0110 | BRACKET, long idler mounting | | | | | | | | 1 |

PRODUCT CODE 152

| ITEM NO. | PART NO. | DESCRIPTION | | | | | | | MFRS. CODE | UNITS PER ASSY |
|----------|----------|---|---|---|---|---|---|---|------------|----------------|
| | | 1 | 2 | 3 | 4 | 5 | 6 | 7 | | |
| | | (ATTACHING PARTS) | | | | | | | | |
| -40 | C-62433 | SCREW, 1/2-13 x 1-1/2 in. lg hex.hd | | | | | | | | 4 |
| -41 | C-80516 | WASHER, 1/2 in. | | | | | | | | 4 |
| -42 | C-43330 | LOCKWASHER, 1/2 in. cad. pl | | | | | | | | 4 |
| -43 | 1022045 | NUT (74-11-150-13) | | | | | | | | 4 |
| | | - - - * - - - | | | | | | | | |
| -44 | 1022052 | SCREW, 5/8-11 x 9 in. lg | | | | | | | | 2 |
| -45 | C-48202 | NUT, 5/8-11 cad. pl hex. | | | | | | | | |
| -46 | 160-142 | ANGLE, adjusting | | | | | | | | 2 |
| -47 | 160-127 | PLATE, tie | | | | | | | | 8 |
| | | (ATTACHING PARTS) | | | | | | | | |
| -48 | C-62502 | SCREW, 5/8-11 x 1-1/2 in. cad. pl hex. hd | | | | | | | | 32 |
| -49 | C-43320 | LOCKWASHER, 5/8 in. cad. pl | | | | | | | | 32 |
| -50 | C-48202 | NUT, 5/8-11 cad. pl hex. | | | | | | | | 32 |
| | | - - - * - - - | | | | | | | | |
| -51 | 141-179 | BRACKET, rear tape | | | | | | | | 2 |
| | | (ATTACHING PARTS) | | | | | | | | |
| -52 | 1003177 | SCREW, 1/2-13 x 2-1/4 in. lg hex.hd | | | | | | | | 2 |
| -53 | C-80760 | WASHER, 9/16 in. id | | | | | | | | 2 |
| -54 | C-43361 | LOCKWASHER, 9/16 in. id | | | | | | | | 2 |
| -55 | 1000843 | NUT, 1/2-13 hex. | | | | | | | | 2 |
| | | - - - * - - - | | | | | | | | |
| -56 | 141-022 | BAR | | | | | | | | 1 |
| -57 | C-54536 | PIN, 1/8in. dia x 2in. lg cotter | | | | | | | | 2 |
| -58 | 160-0113 | BRACKET, long left hand thread idler mounting | | | | | | | | 1 |
| | | (ATTACHING PARTS) | | | | | | | | |
| -59 | C-62433 | SCREW, 1/2-13 x 1-1/2 in. lg hex.hd | | | | | | | | 4 |
| -60 | C-80516 | WASHER, 1/2 in. | | | | | | | | 4 |
| -61 | C-43330 | LOCKWASHER, 1/2 in. cad. pl | | | | | | | | 4 |
| -62 | 1022045 | NUT (74-11-150-13) | | | | | | | | 4 |
| -63 | C-54939 | PIN, 1/2in.dia x 1-3/4 in.lg | | | | | | | | 32 |

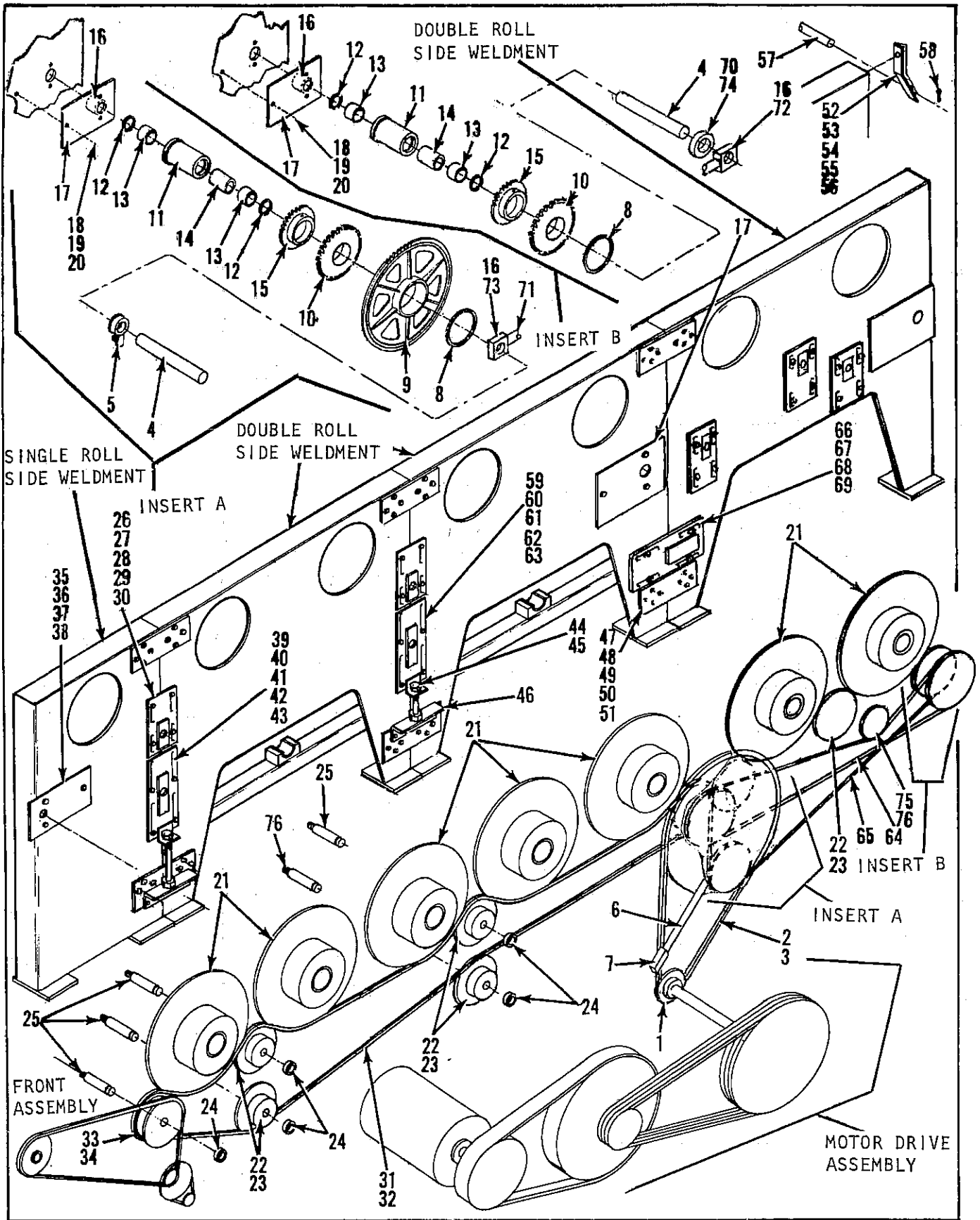


Figure 6-9. Seven Roll Drive and Connecting Frame

PRODUCT CODE 152

| ITEM NO. | PART NO. | DESCRIPTION | | | | | | | MFRS. CODE | UNITS PER ASSY |
|----------|----------|---|---|---|---|---|---|---|------------|----------------|
| | | 1 | 2 | 3 | 4 | 5 | 6 | 7 | | |
| | 160-0627 | ADDITIONAL PARTS REQUIRED FOR 7-ROLL DRIVE AND CONNECTING FRAME | | | | | | | | |
| -1 | REF | SPROCKET, drive | | | | | | | | ref |
| -2 | M-92083 | CHAIN, 1-1/4 in. pitch roller (100) | | | | | | | | a/r |
| -3 | C-42588 | LINK, chain connect (100) | | | | | | | | 1 |
| -4 | 160-68 | STUD, main drive | | | | | | | | 2 |
| -5 | 141-107 | COLLAR, strut | | | | | | | | 1 |
| -6 | 141-627 | STRUT | | | | | | | | 1 |
| -7 | 160-692 | STRUT END | | | | | | | | 1 |
| -8 | 160-158 | WASHER, thrust | | | | | | | | 4 |
| -9 | 141-4126 | SPROCKET, main drive | | | | | | | | 1 |
| -10 | 160-047 | SPROCKET, outside drive no. 80 chain | | | | | | | | 2 |
| -11 | 160-061 | HUB ASSY, main drive | | | | | | | | 2 |
| -12 | C-58986 | RING, retaining | | | | | | | | 4 |
| -13 | C-16043 | BEARING, roller (HJ-445628) | | | | | | | 60399 | 4 |
| -14 | 160-128 | SPACER | | | | | | | | 2 |
| -15 | 160-042 | SPROCKET, chain drive | | | | | | | | 2 |
| -16 | C-62320 | SCREW, 1/2-13 x 3/4 in. lg set | | | | | | | | 6 |
| -17 | 160-0111 | PLATE, jack shaft base (ATTACHING PARTS) | | | | | | | | 2 |
| -18 | C-62164 | SCREW, 5/8-11 x 2-1/4 in. lg hex.hd | | | | | | | | 6 |
| -19 | C-43320 | LOCKWASHER, 1/2 in. cad. pl | | | | | | | | 6 |
| -20 | C-48202 | NUT, 5/8-11 cad. pl hex. - - - * - - - | | | | | | | | 6 |
| -21 | 160-041 | SPROCKET (For breakdown see fig.11.) | | | | | | | | ref |
| -22 | 160-043 | IDLER SPROCKET ASSY | | | | | | | | 7 |
| -23 | C-14673 | BEARING (MR-24-N) | | | | | | | 92563 | 7 |
| -24 | C-22276 | COLLAR, 1-1/2 in. set | | | | | | | | 9 |
| -25 | 160-611 | SHAFT, right hand thread idler | | | | | | | | 7 |
| -26 | 160-0107 | BRACKET, short idler mounting (ATTACHING PARTS) | | | | | | | | 5 |
| -27 | C-62433 | SCREW, 1/2-13 x 1-1/2 in. lg hex.hd | | | | | | | | 20 |
| -28 | C-80516 | WASHER, 1/2 in. | | | | | | | | 20 |
| -29 | C-43330 | LOCKWASHER, 1/2 in. cad. pl | | | | | | | | 20 |
| -30 | 10-2045 | NUT (74-11-150-13) - - - * - - - | | | | | | | | 20 |
| -31 | M-92096 | CHAIN, 1-1/2 in. pitch roller (120) | | | | | | | | a/r |
| -32 | 1007400 | LINK, chain connecting (120) | | | | | | | | 2 |
| -33 | 160-045 | SPROCKET, feed end | | | | | | | | 1 |
| -34 | C-14673 | BEARING (MR-24-N) | | | | | | | 92563 | 2 |
| -35 | 160-0112 | BRACKET, 1st idler feed end (ATTACHING PARTS) | | | | | | | | 1 |
| -36 | C-62502 | SCREW, 5/8-11 x 1-1/2 in. cad. pl h hex. hd | | | | | | | | 3 |
| -37 | C-43320 | LOCKWASHER, 5/8 in. | | | | | | | | 3 |
| -38 | C-48202 | NUT, 5/8-11 cad. pl hex. - - - * - - - | | | | | | | | 3 |
| -39 | 160-0110 | BRACKET, long idler mounting | | | | | | | | 1 |

PRODUCT CODE 152

| ITEM NO. | PART NO. | DESCRIPTION | | | | | | | MFRS. CODE | UNITS PER ASSY |
|----------|----------|---|---|---|---|---|---|---|------------|----------------|
| | | 1 | 2 | 3 | 4 | 5 | 6 | 7 | | |
| | | (ATTACHING PARTS) | | | | | | | | |
| -40 | C-62433 | SCREW, 1/2-13 x 1-1/2in. lg hex.hd | | | | | | | | 4 |
| -41 | C-80516 | WASHER, 1/2 in. | | | | | | | | 4 |
| -42 | C-43330 | LOCKWASHER, 1/2 in. cad. pl | | | | | | | | 4 |
| -43 | 1022045 | NUT (74-11-150-13) | | | | | | | | 4 |
| | | - - - * - - - | | | | | | | | |
| -44 | 1022052 | SCREW, 5/8-11 x 9 in. lg | | | | | | | | 2 |
| -45 | C-48202 | NUT, 5/--11 cad. pl hex. | | | | | | | | |
| -46 | 160-142 | ANGLE, adjusting | | | | | | | | 2 |
| -47 | 160-127 | PLATE, tie | | | | | | | | 8 |
| | | (ATTACHING PARTS) | | | | | | | | |
| -48 | C-62502 | SCREW, 5/8-11 x 1-1/2 in. cad. pl hex. hd | | | | | | | | 32 |
| -49 | C-43320 | LOCKWASHER, 5/8 in. cad. pl | | | | | | | | 32 |
| -50 | C-48202 | NUT, 5/8-11 cad. pl hex. | | | | | | | | 32 |
| | | - - - * - - - | | | | | | | | |
| -51 | 141-179 | BRACKET, rear tape | | | | | | | | 2 |
| | | (ATTACHING PARTS) | | | | | | | | |
| -52 | 1003177 | SCREW, 1/2-13 x 2-1/4in.lg hex. hd | | | | | | | | 2 |
| -53 | C-80760 | WASHER, 9/16 in. id | | | | | | | | 2 |
| -54 | C-43361 | LOCKWASHER, 9/16 in. id | | | | | | | | 2 |
| -55 | 1000843 | NUT, 1/2-13 hex. | | | | | | | | 2 |
| | | - - - * - - - | | | | | | | | |
| -56 | 141-022 | BAR | | | | | | | | 1 |
| -57 | C-54536 | PIN, 1/8in.dia x 2in.lg cotter | | | | | | | | 2 |
| -58 | 160-0113 | BRACKET, long left hand thread idler mounting | | | | | | | | 1 |
| | | (ATTACHING PARTS) | | | | | | | | |
| -59 | C-62433 | SCREW, 1/2-13 x 1-1/2in.lg hex.hd | | | | | | | | 4 |
| -60 | C-80516 | WASHER, 1/2 in. | | | | | | | | 4 |
| -61 | C-43330 | LOCKWASHER, 1/2in. cad. pl | | | | | | | | 4 |
| -62 | 1022045 | NUT (74-11-150-13) | | | | | | | | 4 |
| -63 | C-54939 | PIN,1/2in.dia x 1-3/4 in.lg | | | | | | | | 32 |

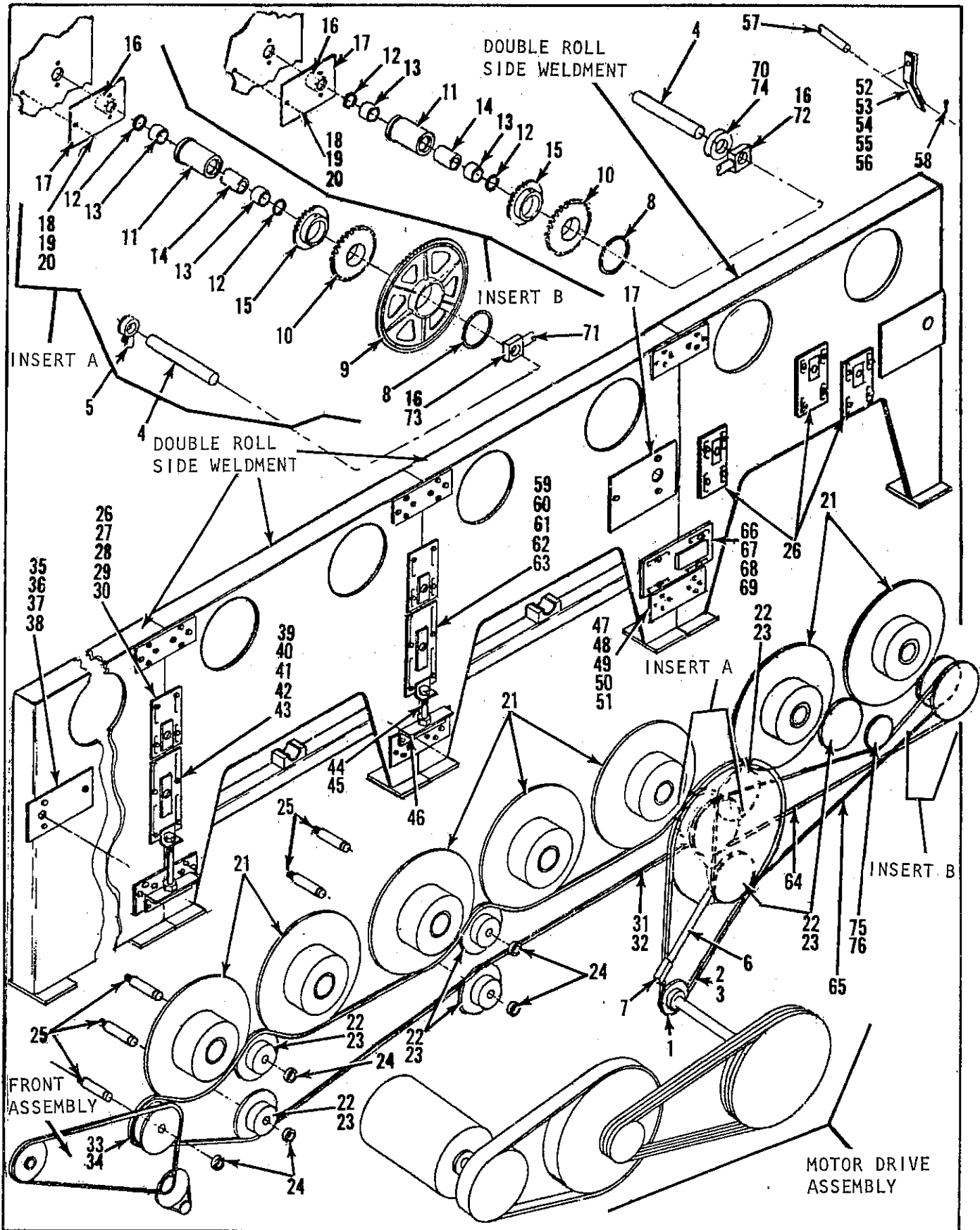


Figure 6-10. Eight Roll Drive and Connecting Frame

PRODUCT CODE 152

| ITEM NO. | PART NO. | DESCRIPTION | | | | | | | MFRS. CODE | UNITS PER ASSY. |
|----------|----------|---|---|---|---|---|---|---|------------|-----------------|
| | | 1 | 2 | 3 | 4 | 5 | 6 | 7 | | |
| | 160-0616 | ADDITIONAL PARTS REQUIRED FOR 8-ROLL DRIVE AND CONNECTING FRAME | | | | | | | | |
| -1 | REF | SPROCKET, drive | | | | | | | | ref |
| -2 | M-92083 | CHAIN, 1-1/4 in. pitch roller (100) | | | | | | | | a/r |
| -3 | C-42588 | LINK, chain connect (100) | | | | | | | | 1 |
| -4 | 160-68 | STUD, main drive | | | | | | | | 2 |
| -5 | 141-107 | COLLAR, strut | | | | | | | | 1 |
| -6 | 141-627 | STRUT | | | | | | | | 1 |
| -7 | 160-692 | STRUT END | | | | | | | | 1 |
| -8 | 160-158 | WASHER, thrust | | | | | | | | 4 |
| -9 | 141-4126 | SPROCKET, main drive | | | | | | | | 1 |
| -10 | 160-047 | SPROCKET, outside drive no. 80 chain | | | | | | | | 2 |
| -11 | 160-061 | HUB ASSY, main drive | | | | | | | | 2 |
| -12 | C-58986 | RING, retaining | | | | | | | | 4 |
| -13 | C-16043 | BEARING, roller (HJ-445628) | | | | | | | 60399 | 4 |
| -14 | 160-128 | SPACER | | | | | | | | 2 |
| -15 | 160-042 | SPROCKET, chain drive | | | | | | | | 2 |
| -16 | C-62320 | SCREW, 1/2-13 x 3/4 in. 1g set | | | | | | | | 6 |
| -17 | 160-0111 | PLATE, jack shaft base (ATTACHING PARTS) | | | | | | | | 2 |
| -18 | C-62164 | SCREW, 5/8-11 x 2-1/4 in. 1g hex.hd | | | | | | | | 6 |
| -19 | C-43320 | LOCKWASHER, 1/2 in. cad. pl | | | | | | | | 6 |
| -20 | C-48202 | NUT, 5/8-11 cad. pl hex. - - - * - - - | | | | | | | | 6 |
| -21 | 160-041 | SPROCKET (For breakdown see fig.11.) | | | | | | | | ref |
| -22 | 160-043 | IDLER SPROCKET ASSY | | | | | | | | 7 |
| -23 | C-14673 | BEARING (MR-24-N) | | | | | | | 92563 | 7 |
| -24 | C-22276 | COLLAR, 1-1/2 in. set | | | | | | | | 9 |
| -25 | 160-611 | SHAFT, right hand thread idler | | | | | | | | 7 |
| -26 | 160-0107 | BRACKET, short idler mounting (ATTACHING PARTS) | | | | | | | | 5 |
| -27 | C-62433 | SCREW, 1/2-13 x 1-1/2 in. 1g hex.hd | | | | | | | | 20 |
| -28 | C-80516 | WASHER, 1/2 in. | | | | | | | | 20 |
| -29 | C-43330 | LOCKWASHER, 1/2 in. cad. pl | | | | | | | | 20 |
| -30 | 10-2045 | NUT (74-11-150-13) - - - * - - - | | | | | | | | 20 |
| -31 | M-92096 | CHAIN, 1-1/2 in. pitch roller (120) | | | | | | | | a/r |
| -32 | 1007400 | LINK, chain connecting (120) | | | | | | | | 2 |
| -33 | 160-045 | SPROCKET, feed end | | | | | | | | 1 |
| -34 | C-14773 | BEARING (MR-24-N) | | | | | | | 92563 | 2 |
| -35 | 160-0112 | BRACKET, 1st idler feed end (ATTACHING PARTS) | | | | | | | | 1 |
| -36 | C-62502 | SCREW, 5/8-11 x 1-1/2 in. cad. pl hex. hd | | | | | | | | 3 |
| -37 | C-43320 | LOCKWASHER, 5/8 in. | | | | | | | | 3 |
| -38 | C-48202 | NUT, 5/8-11 cad. pl hex. - - - * - - - | | | | | | | | 3 |
| -39 | 160-0110 | BRACKET, long idler mounting | | | | | | | | 1 |

| ITEM NO. | PART NO. | DESCRIPTION | | | | | | | MFRS. CODE | UNITS PER ASSY |
|----------|----------|---|---|---|---|---|---|---|------------|----------------|
| | | 1 | 2 | 3 | 4 | 5 | 6 | 7 | | |
| | | (ATTACHING PARTS) | | | | | | | | |
| -40 | C-62433 | SCREW, 1/2-13 x 1-1/2 in. lg hex.hd | | | | | | | | 4 |
| -41 | C-80516 | WASHER, 1/2 in. | | | | | | | | 4 |
| -42 | C-43330 | LOCKWASHER, 1/2 in. cad. pl | | | | | | | | 4 |
| -43 | 1022045 | NUT (74-11-150-13) | | | | | | | | 4 |
| | | - - - * - - - | | | | | | | | |
| -44 | 1022052 | SCREW, 5/8-11 x 9 in. lg | | | | | | | | 2 |
| -45 | C-48202 | NUT, 5/8-11 cad. pl hex. | | | | | | | | 2 |
| -46 | 160-142 | ANGLE, adjusting | | | | | | | | 2 |
| -47 | 160-127 | PLATE, tie | | | | | | | | 12 |
| | | (ATTACHING PARTS) | | | | | | | | |
| -48 | C-62502 | SCREW, 5/8-11 x 1-1/2 in. cad. pl hex. hd | | | | | | | | 48 |
| -49 | C-43320 | LOCKWASHER, 5/8 in. cad. pl | | | | | | | | 48 |
| -50 | C-48202 | NUT, 5/8-11 cad. pl hex. | | | | | | | | 48 |
| -51 | C-54939 | PIN, 1/2 in. dia x 1-3/4 in. lg | | | | | | | | 48 |
| | | - - - * - - - | | | | | | | | |
| -52 | 141-179 | BRACKET, rear tape | | | | | | | | 2 |
| | | (ATTACHING PARTS) | | | | | | | | |
| -53 | 1003177 | SCREW, 1/2-13 x 1-1/4 in. lg hex.hd | | | | | | | | 2 |
| -54 | C-80760 | WASHER, 9/16 in. id | | | | | | | | 2 |
| -55 | C-43361 | LOCKWASHER, 9/16 in. id | | | | | | | | 2 |
| -56 | 1000843 | NUT, 1/2-13 hex. | | | | | | | | 2 |
| | | - - - * - - - | | | | | | | | |
| -57 | 141-022 | BAR | | | | | | | | 1 |
| -58 | C-54536 | PIN, 1/8 in. dia x 2 in. lg cotter | | | | | | | | 2 |
| -59 | 160-0113 | BRACKET, long left hand thread idler mounting | | | | | | | | 1 |
| | | (ATTACHING PARTS) | | | | | | | | |
| -60 | C-62433 | SCREW, 1/2-13 x 1-1/2 in. lg hex.hd | | | | | | | | 4 |
| -61 | C-80516 | WASHER, 1/2 in. | | | | | | | | 4 |
| -62 | C-43330 | LOCKWASHER, 1/2 in. cad. pl | | | | | | | | 4 |
| -63 | 1022045 | NUT (74-11-150-13) | | | | | | | | 4 |
| -64 | M-92096 | CHAIN, 1-1/2 in. pitch roller (120) | | | | | | | | a/r |
| -65 | M-92064 | CHAIN, 1 in. pitch roller (80) | | | | | | | | a/r |
| -66 | 160-0135 | BRACKET, mounting | | | | | | | | 1 |
| | | (ATTACHING PARTS) | | | | | | | | |
| -67 | C-62433 | SCREW, 1/2-13 x 1-1/2 in. lg hex.hd | | | | | | | | 4 |
| -68 | C-43330 | LOCKWASHER, 1/2 in. cad. pl | | | | | | | | 4 |
| -69 | 1022045 | NUT (74-11-150-13) | | | | | | | | 4 |
| | | - - - * - - - | | | | | | | | |
| -70 | 160-184 | SPACER | | | | | | | | 1 |
| -71 | 160-6026 | STRUT | | | | | | | | 1 |
| -72 | 160-0132 | STRUT END | | | | | | | | 1 |
| -73 | 160-0133 | STRUT END | | | | | | | | 1 |
| -74 | 1023795 | SCREW, 5/16-18 x 5/8 in. set | | | | | | | | 1 |
| -75 | 160-046 | SPROCKET, outside drive chain (80) | | | | | | | | a/r |
| -76 | 160-612 | SHAFT, left hand thread idler | | | | | | | | 2 |

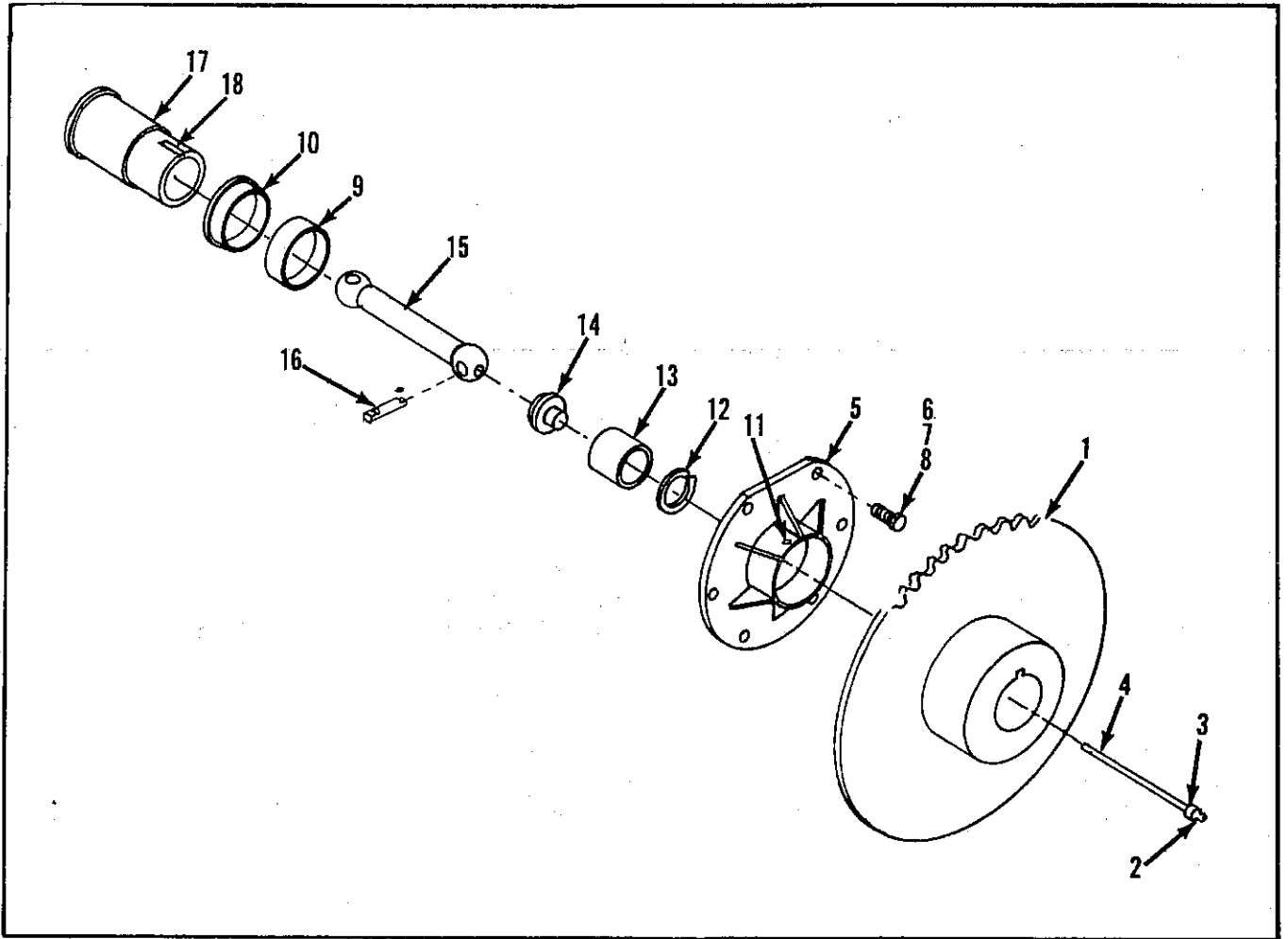


Figure 6-11. Basic Double Roll Module Sprocket, Main Bearing Housing Assembly, and Universal Drive Shaft

PRODUCT CODE 152

| ITEM NO. | PART NO. | DESCRIPTION | | | | | | | MFRS. CODE | UNITS PER ASSY |
|----------|----------|---|---|---|---|---|---|---|------------|----------------|
| | | 1 | 2 | 3 | 4 | 5 | 6 | 7 | | |
| -- | | BASIC DOUBLE ROLL MODULE SPROCKET, MAIN BEARING HOUSING ASSEMBLY, UNIVERSAL DRIVE SHAFT | | | | | | | | |
| -1 | 160-041 | SPROCKET | | | | | | | | 2 |
| -2 | C-30825 | FITTING, grease | | | | | | | | 2 |
| -3 | C-23130 | COUPLING, 1/8 in. npt | | | | | | | | 2 |
| -4 | C-46105 | NIPPLE, 1/8 in. npt x 9 in.lg | | | | | | | | 2 |
| -5 | 141-010 | BEARING HOUSING ASSEMBLY (ATTACHING PARTS) | | | | | | | | 2 |
| -6 | 1003094 | SCREW, 1/2-13 x 1-1/4 in.lg hex.hd | | | | | | | | 12 |
| -7 | 1022045 | INSERT, sheet metal | | | | | | | | 12 |
| -8 | 1001098 | LOCKWASHER, 1/2 in. - - - * - - - | | | | | | | | 12 |
| -9 | 141-15 | BUSHING, outside | | | | | | | | 2 |
| -10 | 141-16 | BUSHING, inside | | | | | | | | 2 |
| -11 | C-62001 | SCREW, 1/4-20 x 1/4 in.lg set | | | | | | | | 4 |
| -12 | C-59014 | RING, retaining (5000-334) | | | | | | | 79136 | 4 |
| -13 | 141-13 | SPACER | | | | | | | | 2 |
| -14 | 141-1751 | PLATE | | | | | | | | 2 |
| -15 | 160-11 | SHAFT, universal drive | | | | | | | | 2 |
| -16 | 141-634 | PIN, universal drive | | | | | | | | 2 |
| -17 | 141-0670 | SLEEVE, drive | | | | | | | | 2 |
| -18 | 30-6022 | KEY, drive sprocket | | | | | | | | 2 |

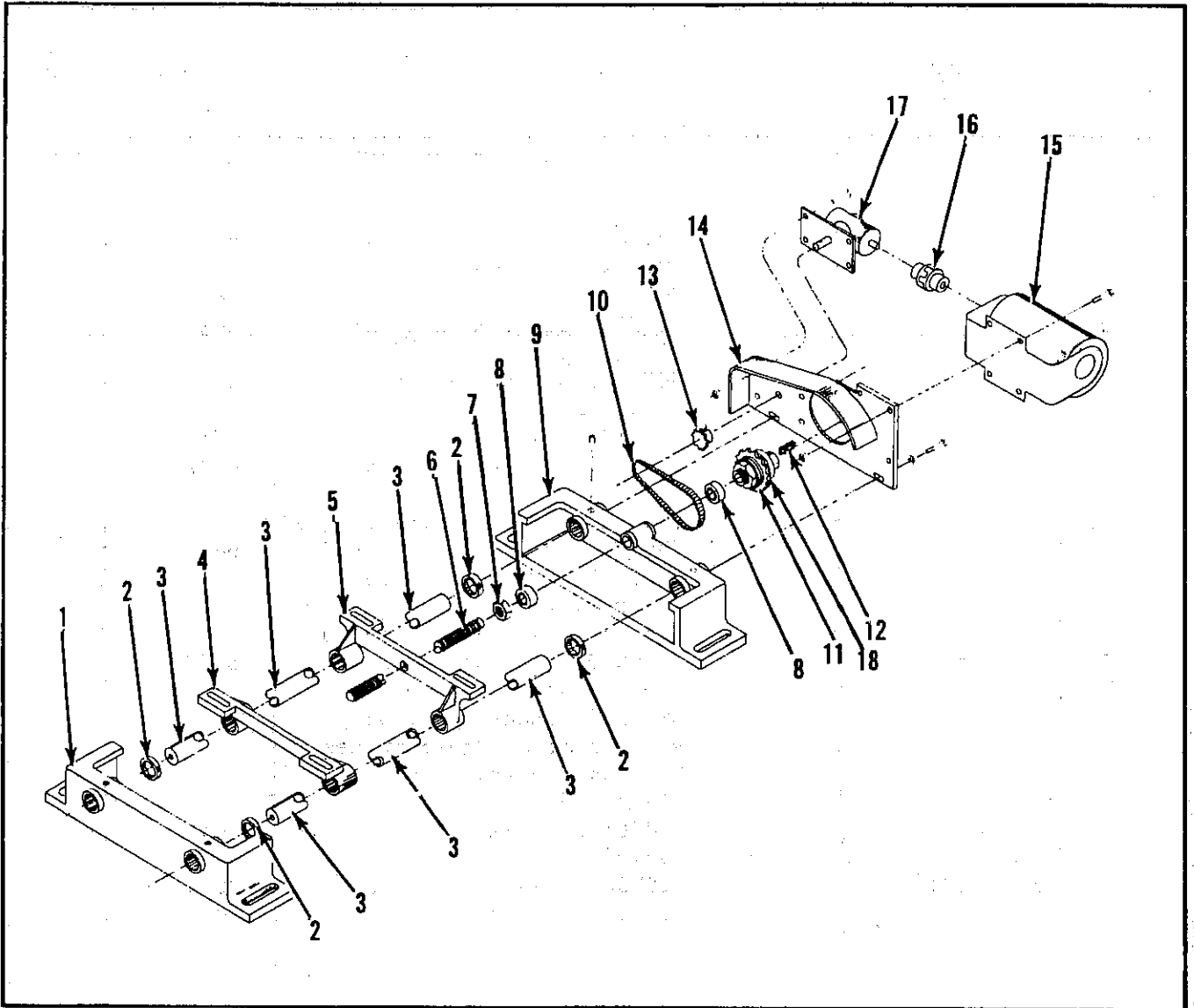


Figure 6-12. Adjustable Motor Base (3BH5-ERC)

PRODUCT CODE 152

| ITEM NO. | PART NO. | DESCRIPTION | | | | | | | MFRS. CODE | UNITS PER ASSY | | |
|----------|----------|-------------|---|---|---|---|---|---|------------|---|--|-----|
| | | 1 | 2 | 3 | 4 | 5 | 6 | 7 | | | | |
| -- | | | | | | | | | | BASE, adjustable motor(3BH5-ERC) | | ref |
| -1. | | | | | | | | | 96432 | SUPPORT,back bar(14604) w/ setscrews | | 1 |
| -2 | | | | | | | | | 96432 | COLLAR, slide rod 1-1/4 in. | | 4 |
| -3 | | | | | | | | | 96432 | ROD, slide (14619) | | 2 |
| -4 | | | | | | | | | 96432 | MOUNT, plain motor (14606) | | 1 |
| -5 | | | | | | | | | 96432 | MOUNT, tapped motor(14607) | | 1 |
| -6 | | | | | | | | | | SCREW,adjustment (14639) | | |
| -7 | | | | | | | | | 96432 | NUT, adjustment hex.hd jam w/ setscrew | | 1 |
| -8 | | | | | | | | | 43766 | BEARING, thrust (605) | | 2 |
| -9 | | | | | | | | | 96432 | SUPPORT, front bar (14602) w/ setscrews | | 1 |
| -10 | | | | | | | | | | CHAIN, roller 1 ft.6in.lg(41) | | 1 |
| -11 | | | | | | | | | 96432 | TORQUE LIMITER(250-1 x 5/8 bore (For breakdown see figure 14.) | | 1 |
| -12 | | | | | | | | | | KEY, 3/16 sq x 1-7/16in.lg | | 1 |
| -13 | C-33281 | | | | | | | | 96432 | SPROCKET,11 tooth w/ hub (14218) and setscrew | | 1 |
| -14 | | | | | | | | | 96432 | BRACKET, mounting (14622) | | 1 |
| -15 | | | | | | | | | | MOTOR,control 3ph/60Hz(See Machine Electrical Parts Figure 25.) | | |
| -16 | C-23471 | | | | | | | | 96432 | COUPLING, flexible 1/2 x 1/2 (G-100) | | |
| -17 | X-100038 | | | | | | | | 00013 | REDUCER, gear 1-1/2 ATD | | |
| -18 | | | | | | | | | 96432 | SPROCKET,plate(14219) | | 1 |

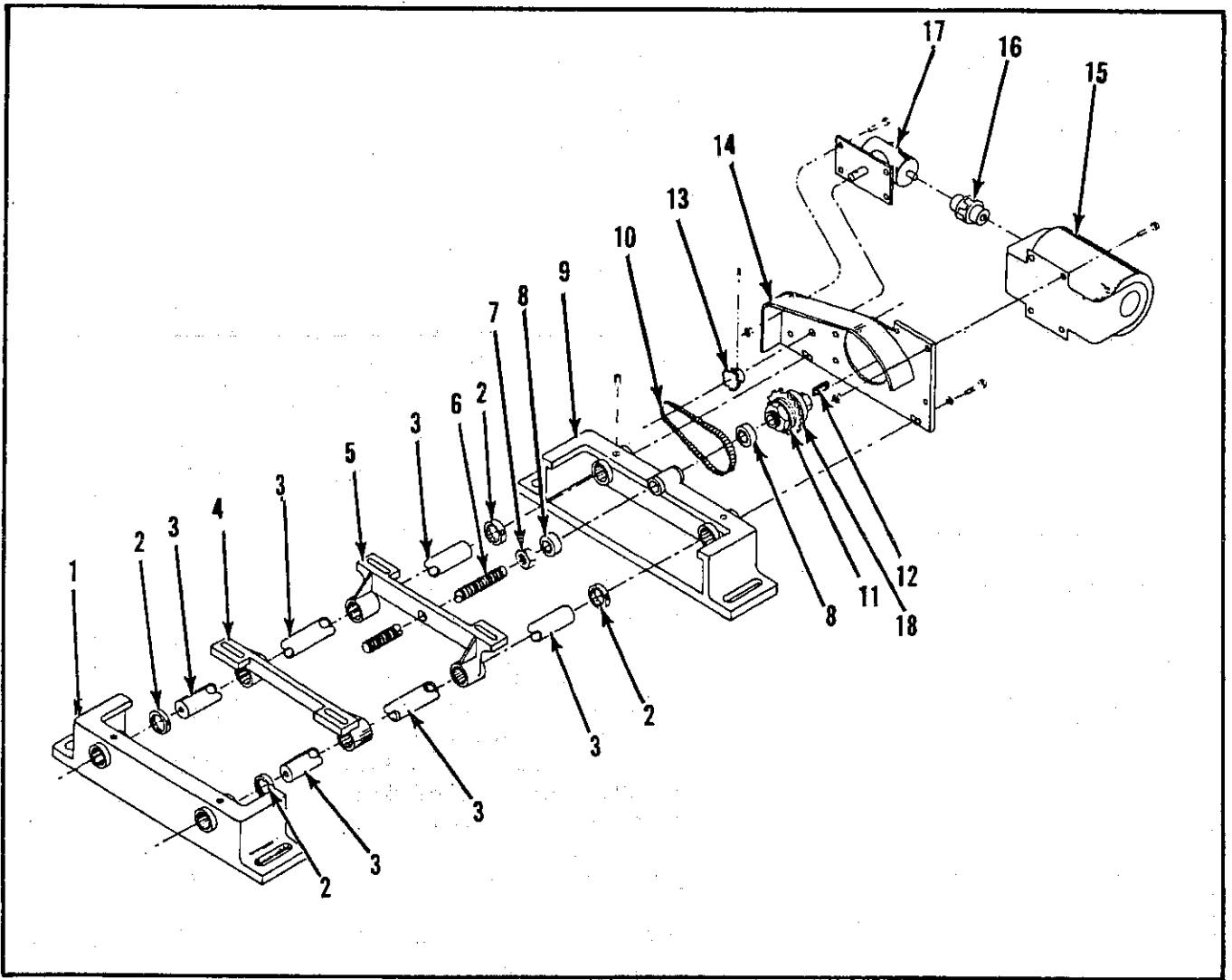


Figure 6-13. Adjustable Motor Base (4BH5-ERC)

PRODUCT CODE 152

| ITEM NO. | PART NO. | DESCRIPTION | | | | | | | MFRS. CODE | UNITS PER ASSY |
|----------|----------|-------------|---|---|---|---|---|---|------------|----------------|
| | | 1 | 2 | 3 | 4 | 5 | 6 | 7 | | |
| -- | | | | | | | | | | ref |
| -1 | | | | | | | | | 96432 | 1 |
| -2 | | | | | | | | | 96432 | 4 |
| -3 | C-65570 | | | | | | | | 96432 | 2 |
| -4 | C-47970 | | | | | | | | 96432 | 1 |
| -5 | C-47971 | | | | | | | | 96432 | 1 |
| -6 | C-54971 | | | | | | | | 96432 | 2 |
| -7 | | | | | | | | | 96432 | 2 |
| -8 | C-13016 | | | | | | | | 43766 | 2 |
| -9 | | | | | | | | | 96432 | 1 |
| -10 | C-47972 | | | | | | | | | 1 |
| -11 | C-47977 | | | | | | | | 96432 | 1 |
| -12 | | | | | | | | | | 1 |
| -13 | C-33281 | | | | | | | | 96432 | 1 |
| -14 | | | | | | | | | 96432 | 1 |
| -15 | | | | | | | | | | 1 |
| -16 | C-23471 | | | | | | | | 96432 | 1 |
| -17 | X-100038 | | | | | | | | 00013 | |
| -18 | | | | | | | | | | |

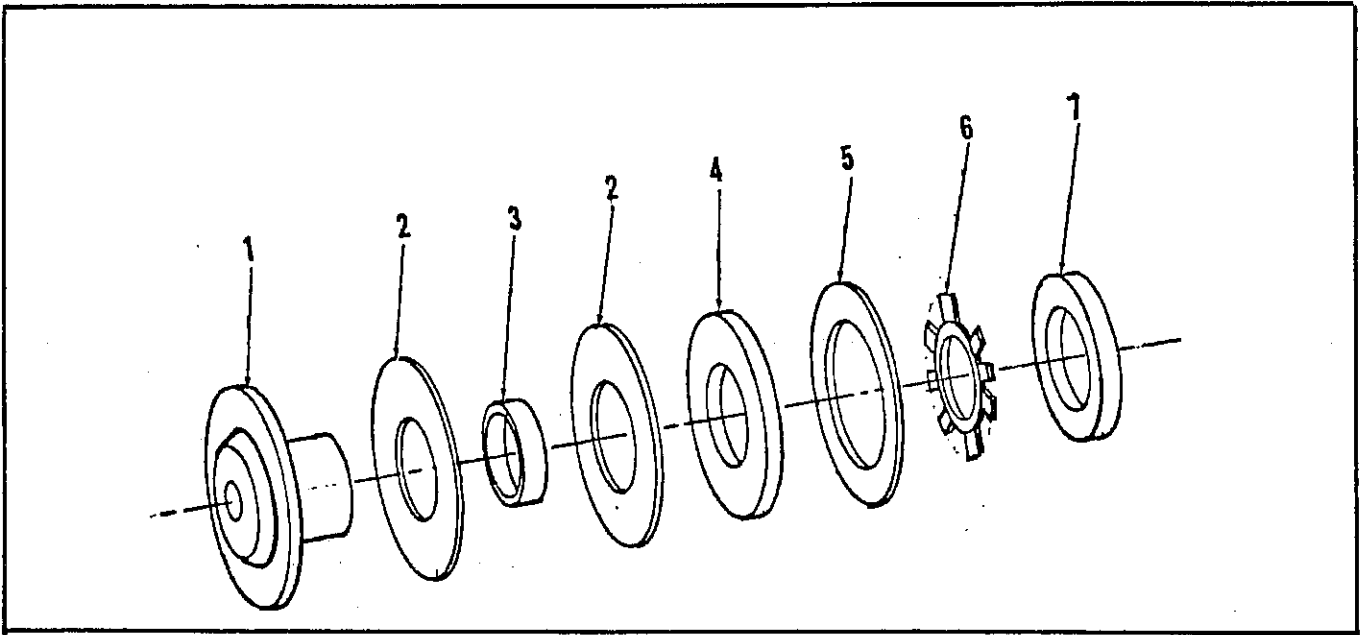


Figure 6-14. Torque Limitor

| ITEM NO. | PART NO. | DESCRIPTION | | | | | | | MFRS. CODE | UNITS PER ASSY | |
|----------|----------|-------------|---|---|---|---|---|---|-----------------------------------|----------------|---|
| | | 1 | 2 | 3 | 4 | 5 | 6 | 7 | | | |
| -- | C-47977 | | | | | | | | TORQUE LIMITER (250-1 x 3/4 fore) | | |
| -1 | | | | | | | | | HUB, 3/4 bore | 96432 | 1 |
| -2 | | | | | | | | | FACING, friction | 96432 | 1 |
| -3 | | | | | | | | | BUSHING | 96432 | 1 |
| -4 | | | | | | | | | PLATE, pressure | 96432 | 1 |
| -5 | | | | | | | | | SPRING | 96432 | 1 |
| -6 | | | | | | | | | LOCKWASHER, tab | 96432 | 1 |
| -7 | | | | | | | | | NUT, adjusting | 96432 | 1 |

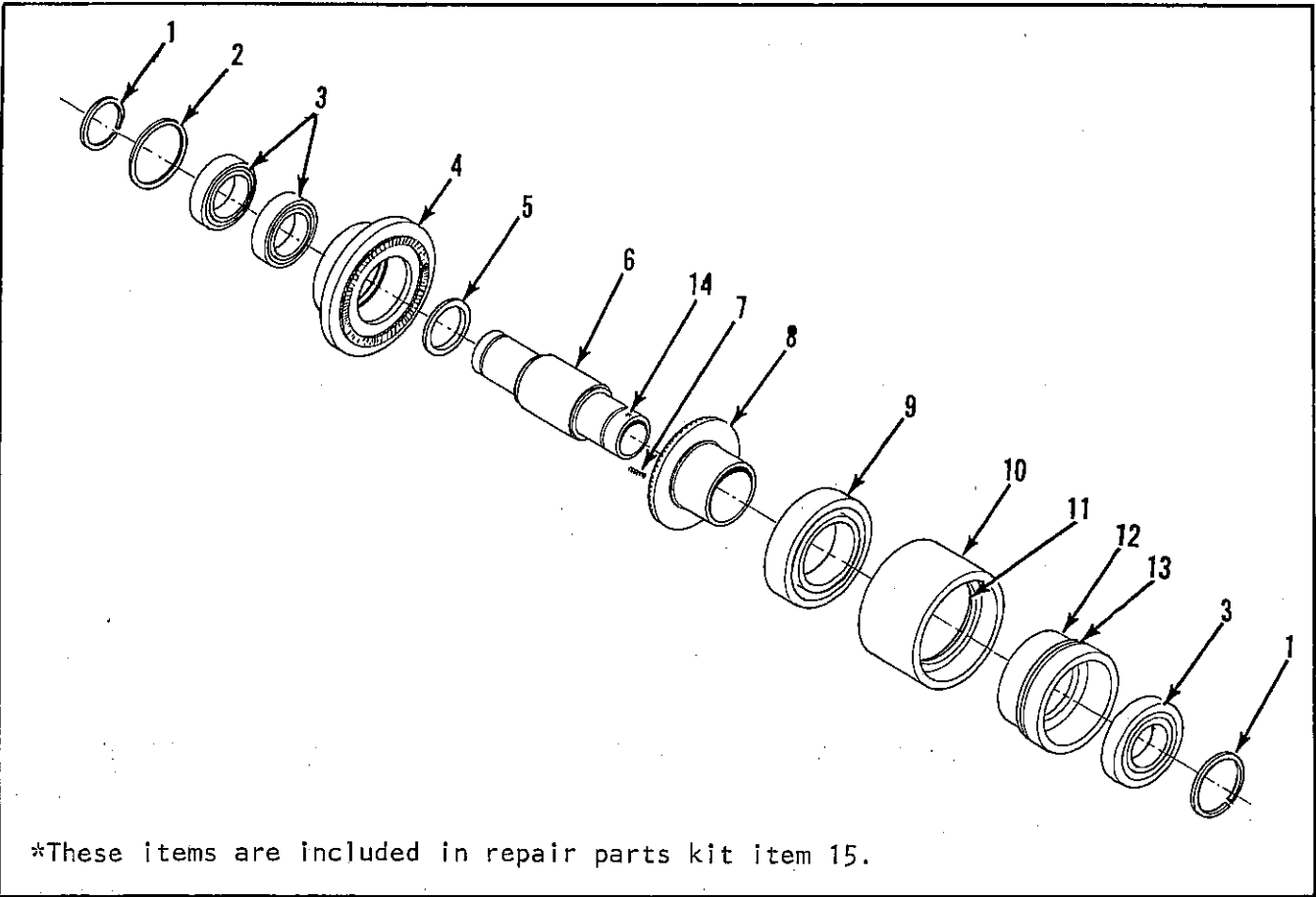


Figure 6-15. Clutch Assembly

| ITEM NO. | PART NO. | DESCRIPTION | | | | | | | MFRS. CODE | UNITS PER ASSY |
|----------|----------|-------------|---|---|---|---|---|---|------------|----------------|
| | | 1 | 2 | 3 | 4 | 5 | 6 | 7 | | |
| -- | 1005859 | | | | | | | | 31875 | |
| -1 | | | | | | | | | 31875 | 2 |
| -2 | | | | | | | | | 31875 | 1 |
| -3 | | | | | | | | | 31875 | 3 |
| -4 | | | | | | | | | 31875 | 1 |
| -5 | | | | | | | | | 31875 | 1 |
| -6 | | | | | | | | | 31875 | 1 |
| -7 | | | | | | | | | 31875 | 8 |
| -8 | | | | | | | | | 31875 | 1 |
| -9 | | | | | | | | | 31875 | 1 |
| -10 | | | | | | | | | 31875 | 1 |
| -11 | | | | | | | | | 31875 | 1 |
| -12 | | | | | | | | | 31875 | 1 |
| -13 | | | | | | | | | 31875 | 1 |
| -14 | | | | | | | | | 31875 | 1 |
| -15 | | | | | | | | | 31875 | 1 |
| -16 | | | | | | | | | 31875 | ref |

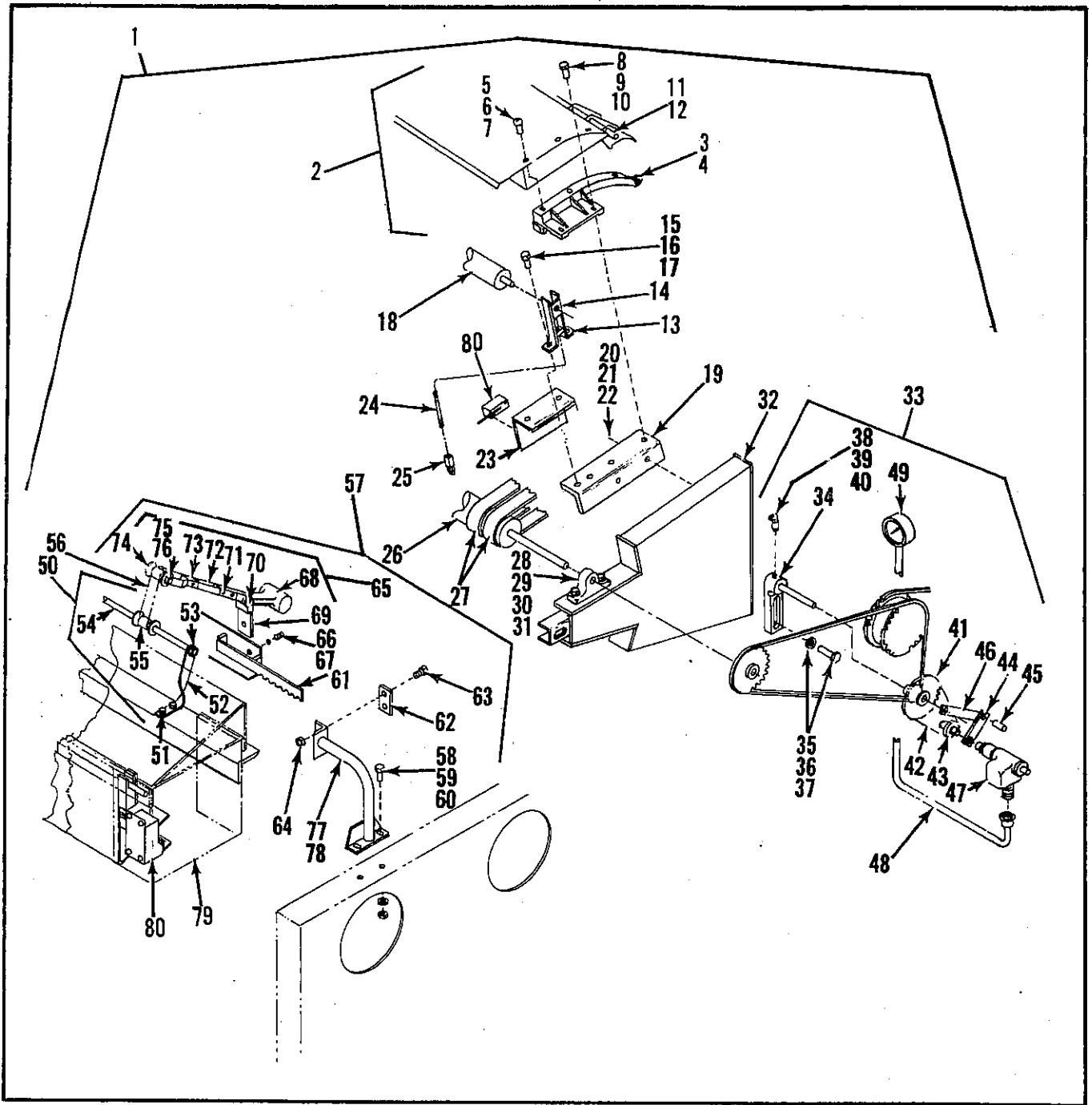


Figure 6-16. Front Assembly

PRODUCT CODE 152

| ITEM NO. | PART NO. | DESCRIPTION | | | | | | | MFRS. CODE | UNITS PER ASSY |
|----------|-----------|--------------------------------------|---|---|---|---|---|---|------------|----------------|
| | | 1 | 2 | 3 | 4 | 5 | 6 | 7 | | |
| -1 | 160-A12 | FRONT ASSY | | | | | | | | ref |
| -2 | 160-0647 | FEED TABLE ASSY | | | | | | | | 1 |
| -3 | 141-1706 | SUPPORT, rh table | | | | | | | | 1 |
| -4 | 141-1707 | SUPPORT, lh table (not shown) | | | | | | | | 1 |
| | | (ATTACHING PARTS) | | | | | | | | |
| -5 | C-18066 | BOLT, 5/16-8V 1-1/4 in. cad. pl | | | | | | | | 8 |
| -6 | C-80570 | WASHER, 5/16 in. | | | | | | | | 8 |
| -7 | C-43211 | LOCKWASHER, 5/16 in. | | | | | | | | 8 |
| -8 | 1002765 | SCREW, 3/8-16 x 1 in. hex. hd | | | | | | | | 4 |
| -9 | 1001304 | WASHER, 3/8 in. | | | | | | | | 4 |
| -10 | 1000819 | NUT, 3/8-16 | | | | | | | | 4 |
| | | - - - * - - - | | | | | | | | |
| -11 | 141-6834 | ROD, ribbon | | | | | | | | 1 |
| -12 | C-54719 | PIN, 3/32 cotter | | | | | | | | 2 |
| -13 | 160-0618 | BRACKET, guide | | | | | | | | 2 |
| -14 | 160-689 | BUSHING, doffer roll | | | | | | | | 2 |
| | | (ATTACHING PARTS) | | | | | | | | |
| -15 | 1002112 | SCREW, 5/16-18 x 1 in. lg hex. hd | | | | | | | | 4 |
| -16 | 1001262 | WASHER, 5/16 in. | | | | | | | | 4 |
| -17 | 1000785 | NUT, 5/16-18 hex. | | | | | | | | 4 |
| | | - - - * - - - | | | | | | | | |
| -18 | 141-08119 | DOFFER ROLL ASSY | | | | | | | | 1 |
| -19 | 160-6005 | SUPPORT, feed table | | | | | | | | 2 |
| | | (ATTACHING PARTS) | | | | | | | | |
| -20 | 1003052 | SCREW, 1/2-13 x 1 in. lg hex. hd | | | | | | | | 4 |
| -21 | 1001320 | WASHER, 1/2 in. | | | | | | | | 4 |
| -22 | 1000843 | NUT, 1/2-13 hex. | | | | | | | | 4 |
| | | - - - * - - - | | | | | | | | |
| -23 | 160-691 | BRACKET, switch support | | | | | | | | 1 |
| -24 | 160-0619 | ROD, doffer roll | | | | | | | | 2 |
| -25 | 160-0617 | ROD END WELDMENT | | | | | | | | 2 |
| -26 | 141-08120 | ROD ASSY, ribbon feed | | | | | | | | 1 |
| -27 | 160-95 | RIBBON, 60 in. | | | | | | | | 45 |
| -28 | C-16164 | BEARING, pillow block | | | | | | | | 2 |
| | | (ATTACHING PARTS) | | | | | | | | |
| -29 | 1003110 | SCREW, 1/2-13 x 1-1/2 in. lg hex. hd | | | | | | | | 4 |
| -30 | 1001320 | WASHER, 1/2 in. | | | | | | | | 4 |
| -31 | 1000843 | NUT, 1/2-13 hex. | | | | | | | | 4 |
| | | - - - * - - - | | | | | | | | |
| -32 | 160-0130 | RIBBON FEED WELDMENT | | | | | | | | 1 |
| -33 | 160-0662 | SPEEDOMETER DRIVE ASSY | | | | | | | | 1 |
| -34 | 141-012 | BRACKET AND STUD IDLER | | | | | | | | |
| | | (ATTACHING PARTS) | | | | | | | | |
| -35 | 1003201 | SCREW, 1/2-13 x 2-1/2 in. lg hex. hd | | | | | | | | 2 |
| -36 | 1001320 | WASHER, 1/2 in. | | | | | | | | 2 |
| -37 | 1000843 | NUT, 1/2-13 hex. | | | | | | | | 2 |
| | | - - - * - - - | | | | | | | | |
| -38 | 1026103 | NIPPLE, 1/8 in. x 1-1/4 in. lg | | | | | | | | 1 |
| -39 | 1036441 | COUPLING, 1/8 in. | | | | | | | | 1 |
| -40 | 1028992 | ELBOW | | | | | | | | 1 |

| ITEM NO. | PART NO. | DESCRIPTION | | | | | | | MFRS. CODE | UNITS PER ASSY |
|----------|-----------|-------------|---|---|---|---|---|---|------------|----------------|
| | | 1 | 2 | 3 | 4 | 5 | 6 | 7 | | |
| -41 | 160-0661 | | | | | | | | | 1 |
| -42 | 141-04117 | | | | | | | | | 1 |
| -43 | C-68618 | | | | | | | | | 1 |
| -44 | 141-1787 | | | | | | | | | 1 |
| -45 | 141-6737 | | | | | | | | | 1 |
| -46 | 141-1786 | | | | | | | | | 1 |
| -47 | 128-0104 | | | | | | | | | 1 |
| -48 | 126-066 | | | | | | | | | 1 |
| -49 | 1019447 | | | | | | | | | 1 |
| -50 | 141-06162 | | | | | | | | | 1 |
| | | | | | | | | | | |
| -51 | 1001627 | | | | | | | | | 10 |
| | | | | | | | | | | |
| -52 | 141-121 | | | | | | | | | 5 |
| -53 | C-48158 | | | | | | | | | 4 |
| -54 | 141-6836 | | | | | | | | | 1 |
| -55 | 3116-989 | | | | | | | | | 10 |
| -56 | 128-900 | | | | | | | | | 1 roll |
| -57 | 160-0659 | | | | | | | | | 1 |
| | | | | | | | | | | |
| -58 | 1002765 | | | | | | | | | 4 |
| -59 | 1001304 | | | | | | | | | 4 |
| -60 | 1000819 | | | | | | | | | 4 |
| | | | | | | | | | | |
| -61 | 141-06000 | | | | | | | | | 1 |
| -62 | 141-6016 | | | | | | | | | 1 |
| | | | | | | | | | | |
| -63 | 1002120 | | | | | | | | | 4 |
| -64 | 1000785 | | | | | | | | | 4 |
| | | | | | | | | | | |
| -65 | 126-010 | | | | | | | | | 10 |
| | | | | | | | | | | |
| -66 | 1002989 | | | | | | | | | 10 |
| -67 | 1001064 | | | | | | | | | 10 |
| | | | | | | | | | | |
| -68 | 126-011 | | | | | | | | | 1 |
| -69 | 141-01133 | | | | | | | | | 1 |
| -70 | 600-621 | | | | | | | | | 1 |
| -71 | C-59218 | | | | | | | | | 2 |
| | | | | | | | | | | |
| -72 | 126-13 | | | | | | | | | 2 |
| -73 | 126-68 | | | | | | | | | 1 |
| -74 | 3116-989 | | | | | | | | | 1 |
| -75 | 126-69 | | | | | | | | | 1 |
| -76 | C-54513 | | | | | | | | | 2 |
| -77 | 141-06002 | | | | | | | | | 1 |
| -78 | 141-06003 | | | | | | | | | 1 |
| -79 | 160-0637 | | | | | | | | | Ref |
| -80 | REF | | | | | | | | | Ref |

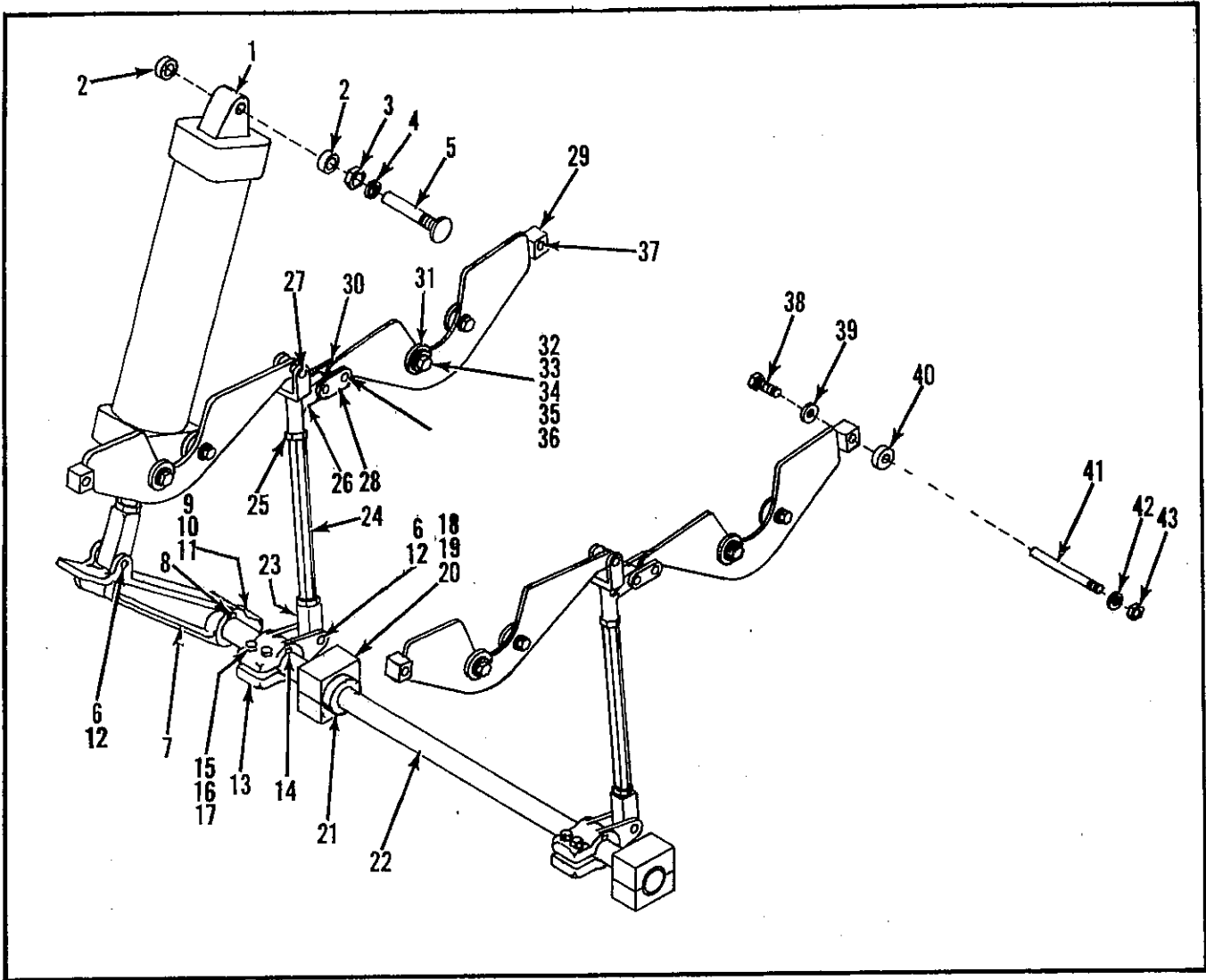


Figure 6-17. Air Cylinder Drive Mechanism

PRODUCT CODE 152

| ITEM NO. | PART NO. | DESCRIPTION | | | | | | | MFRS. CODE | UNITS PER ASSY |
|----------|----------|--|---|---|---|---|---|---|------------|----------------|
| | | 1 | 2 | 3 | 4 | 5 | 6 | 7 | | |
| -1 | C-24385 | AIR CYLINDER DRIVE MECHANISM CYLINDER,air w/ kit MP2-P57366(P601 97-0120)(For breakdown see figure 17.) | | | | | | | | 1 |
| -2 | C-22265 | COLLAR, 3/4 in. set | | | | | | | | 2 |
| -3 | 1000492 | NUT, 1-8 hex. | | | | | | | | 1 |
| -4 | 1001171 | LOCKWASHER, 1 in. | | | | | | | | 1 |
| -5 | 160-67 | STUD, air cylinder pivot | | | | | | | | 1 |
| -6 | 141-601 | PIN | | | | | | | | 3 |
| -7 | 141-276 | LEVER, air cylinder | | | | | | | | 1 |
| -8 | 30-6079 | KEY, air cylinder lever | | | | | | | | 1 |
| -9 | 1004456 | SCREW, hex.hd cap 3/4-10 x 3in.lg | | | | | | | | 2 |
| -10 | 1001148 | LOCKWASHER, 3/4 in. | | | | | | | | 2 |
| -11 | 1000900 | NUT, 3/4-10 hex. | | | | | | | | 2 |
| -12 | 1023795 | SCREW, 5/16-18 x 5/8in.lg set | | | | | | | | 3 |
| -13 | 160-21 | LEVER, raising rig | | | | | | | | 2 |
| -14 | 30-6077 | KEY | | | | | | | | |
| -15 | 1003508 | SCREW, 5/8-11 x 3in.lg hex.hd cap. | | | | | | | | 4 |
| -16 | 1001114 | LOCKWASHER, 5/8 in. | | | | | | | | 4 |
| -17 | 1000884 | NUT, 5/8-11 hex. | | | | | | | | 4 |
| -18 | 160-0629 | BEARING BLOCK ASSY | | | | | | | | 2 |
| -19 | 160-124 | BRACKET | | | | | | | | 2 |
| -20 | 160-121 | BEARING | | | | | | | | 2 |
| -21 | C-22279 | COLLAR | | | | | | | | 2 |
| -22 | 160-609 | SHAFT, cross | | | | | | | | 1 |
| -23 | 141-605 | ROD END, lower | | | | | | | | 2 |
| -24 | 141-602 | ROD | | | | | | | | 2 |
| -25 | C-48022 | NUT, 3/4-10 jam | | | | | | | | 4 |
| -26 | 141-6718 | ROD END, upper | | | | | | | | 2 |
| -27 | 141-600 | PIN | | | | | | | | 2 |
| -28 | 069-6070 | LINK, connecting | | | | | | | | 2 |
| -29 | 160-020 | ARM ASSY | | | | | | | | 4 |
| -30 | C-63112 | SCREW, 1/4-20 x 3/8in. headless cone point soc set | | | | | | | | 4 |
| -31 | C-14674 | BEARING, radial ball | | | | | | | | 8 |
| -32 | 160-119 | HUB, bearing | | | | | | | | 8 |
| -33 | C-62162 | SCREW, 5/8-11 x 2 in.lg cup | | | | | | | | 8 |
| -34 | C-80529 | WASHER, 5/8 in. | | | | | | | | 8 |
| -35 | C-43217 | LOCKWASHER, 5/8 in. | | | | | | | | 8 |
| -36 | C-48019 | NUT, 5/8in. hex. | | | | | | | | 8 |
| -37 | C-19564 | BUSHING, 1 in.id | | | | | | | | 4 |
| -38 | 1002708 | SCREW, 3/8-16 x 1/2 in.lg hex.hd cap | | | | | | | | 4 |
| -39 | 1001064 | LOCKWASHER, 3/8 in. | | | | | | | | 4 |
| -40 | | COLLAR | | | | | | | | 4 |
| -41 | 160-66 | STUD, pivot | | | | | | | | 4 |
| -42 | 1001429 | WASHER, 2in.od x 1 in.id 1/8in. thk | | | | | | | | 4 |
| -43 | 1000900 | NUT, 3/4-10 hex. | | | | | | | | 4 |

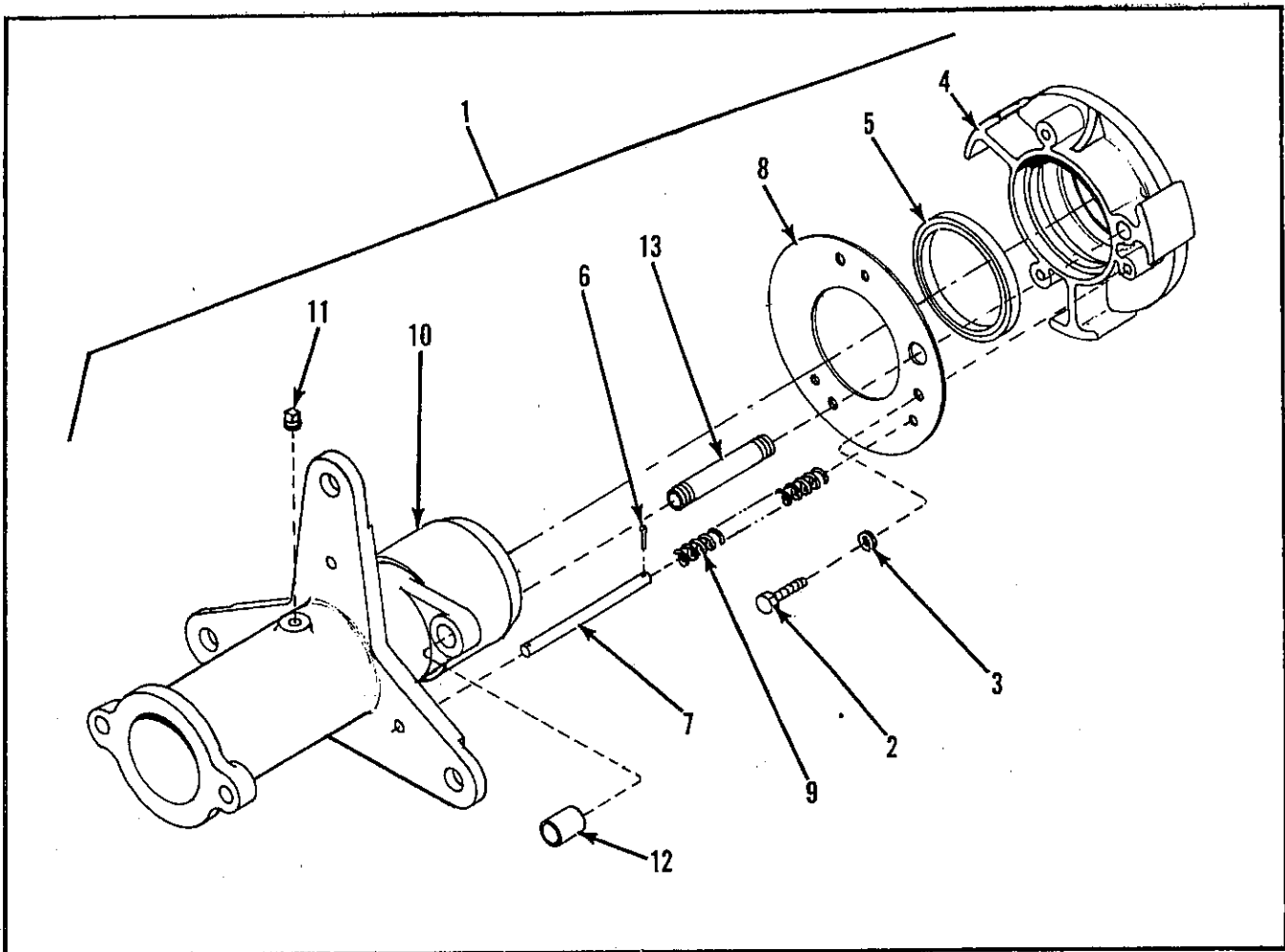


Figure 6-18. Vacuum Adapter Assembly

| ITEM NO. | PART NO. | DESCRIPTION | | | | | | | MFRS. CODE | UNITS PER ASSY |
|----------|----------|--------------------------------------|---|---|---|---|---|---|------------|----------------|
| | | 1 | 2 | 3 | 4 | 5 | 6 | 7 | | |
| -1 | 141-070 | VACUUM ADAPTER ASSY | | | | | | | | |
| -2 | C-62089 | SCREW, 1/4-20 x 1/2 in.lg hex.hd cap | | | | | | | | 3 |
| -3 | C-43209 | LOCKWASHER, 1/4 in. std | | | | | | | | 3 |
| -4 | 141-1749 | FLANGE, floating | | | | | | | | 1 |
| -5 | 141-90 | SEAL | | | | | | | 96820 | 1 |
| -6 | C-54513 | PIN, cotter 3/32in. x 3/4in.lg | | | | | | | | 6 |
| -7 | 141-67 | GUIDE, spring | | | | | | | | 3 |
| -8 | 141-68 | RING, retaining | | | | | | | | 1 |
| -9 | 141-69 | SPRING | | | | | | | | 3 |
| -10 | 141-775 | ADAPTER, vacuum | | | | | | | | 1 |
| -11 | C-56009 | PLUG, 1/8 in. sq pipe | | | | | | | | 1 |
| -12 | C-23130 | COUPLING, 1/8in. std steel | | | | | | | | 1 |
| -13 | C-46087 | NIPPLE, 1/8in. x 2 in.lg black pipe | | | | | | | | 1 |

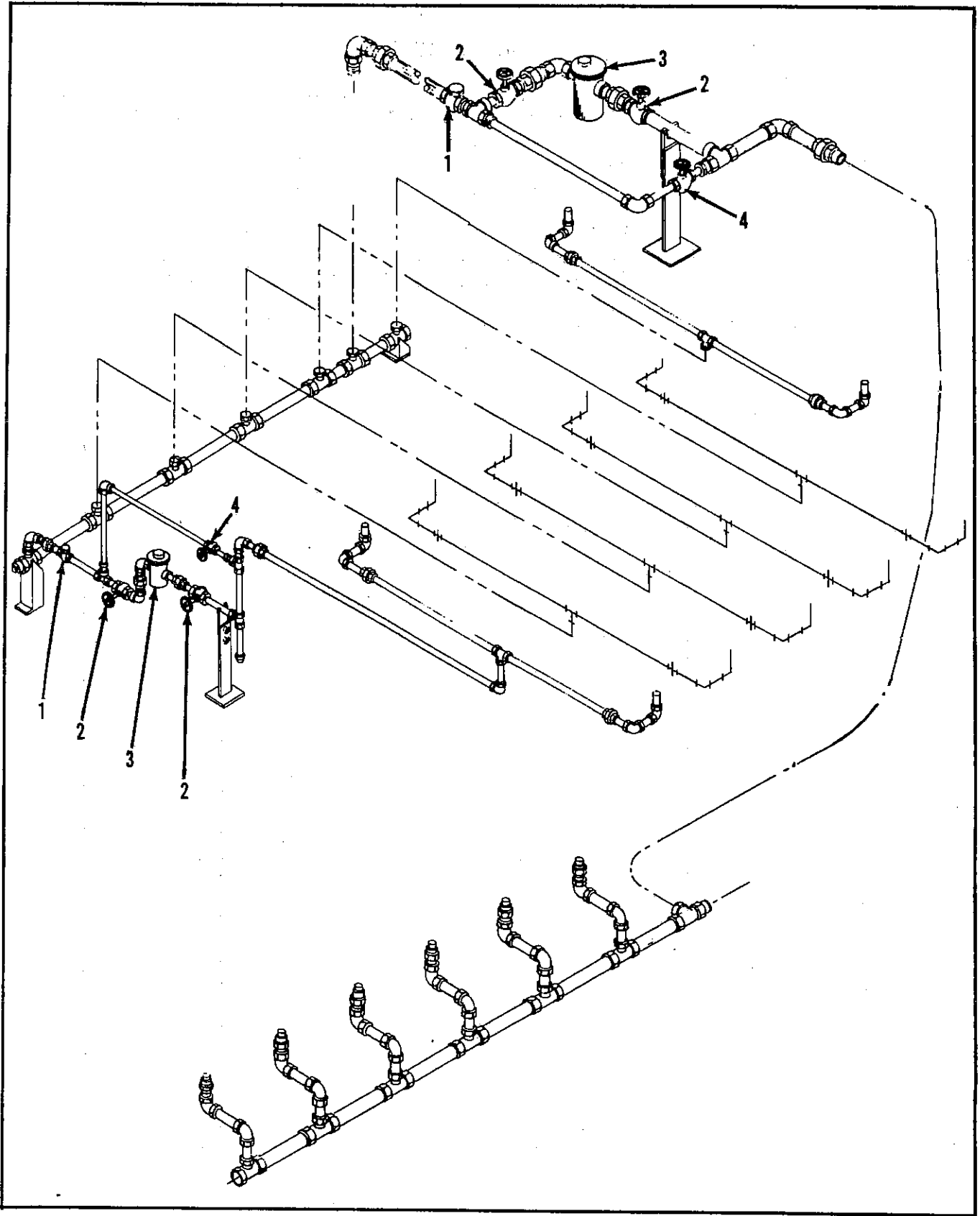


Figure 6-19. Steam Piping Components

PRODUCT CODE 152

| ITEM NO. | PART NO. | DESCRIPTION | | | | | | | MFRS. CODE | UNITS PER ASSY |
|----------|----------|---|---|---|---|---|---|---|------------|----------------|
| | | 1 | 2 | 3 | 4 | 5 | 6 | 7 | | |
| -- | REF | STEAM PIPING COMPONENTS | | | | | | | | ref |
| -1 | C-77968 | VALVE, 3/4 in. check | | | | | | | | 2 |
| -2 | C-77865 | VALVE, 3/4 in. | | | | | | | | 4 |
| -3 | | STEAM TRAP (Specify two of the following) | | | | | | | 03933 | 2 |
| -3-1 | C-72824 | STEAM TRAP (811) for 4, 5, 6, 7, 8 roll units | | | | | | | 03933 | |
| -3-2 | C-72825 | STEAM TRAP (812) for 1, 2, 3, 8 roll units | | | | | | | 03933 | |
| -4 | C-77967 | VALVE, 1/2 in. | | | | | | | | 2 |

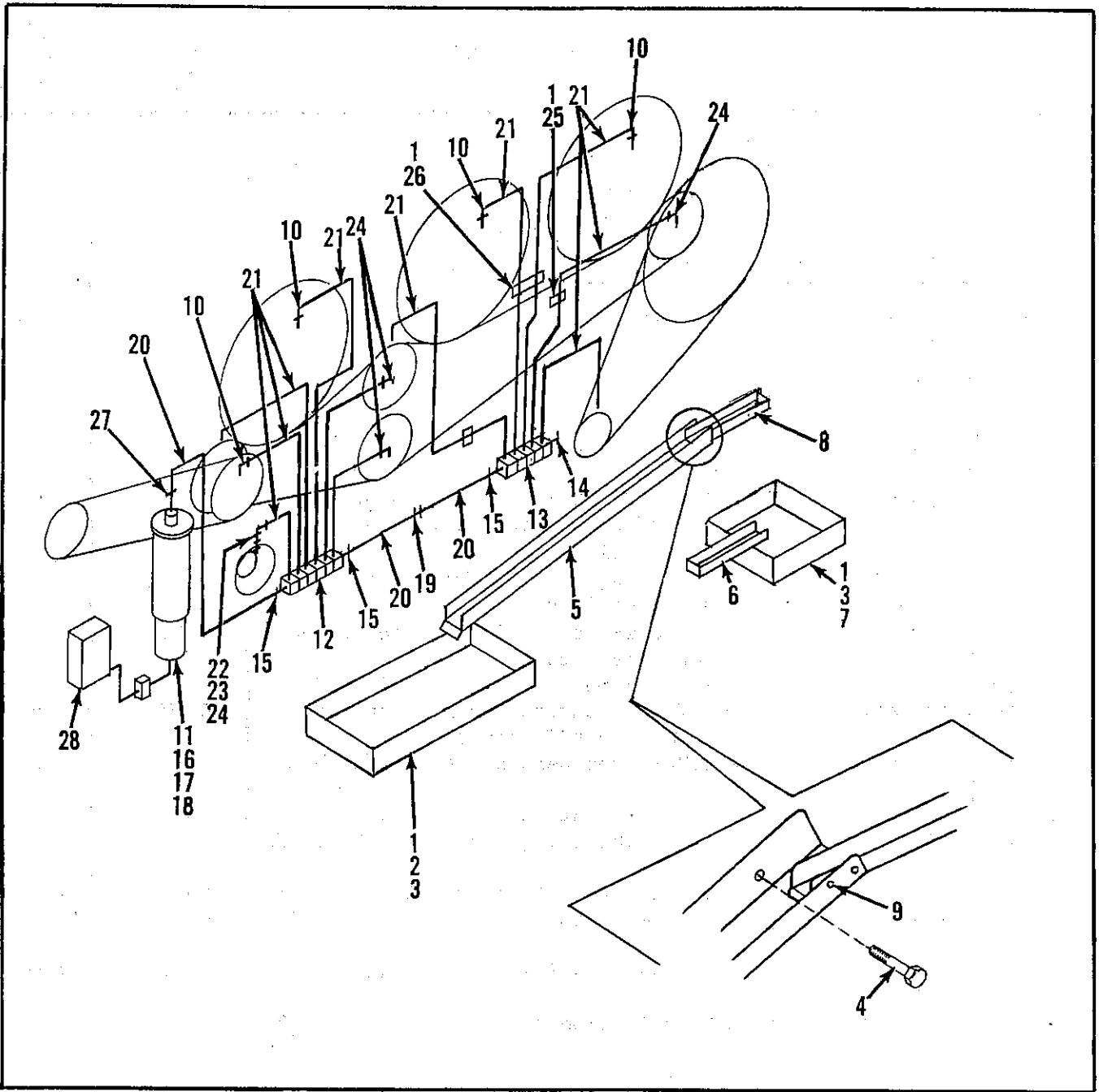


Figure 6-20a. Drip Pan and Lubrication System, 3 Roll

| ITEM NO. | PART NO. | DESCRIPTION | | | | | | | MFRS. CODE | UNITS PER ASSY |
|----------|----------|---|---|---|---|---|---|---|------------|----------------|
| | | 1 | 2 | 3 | 4 | 5 | 6 | 7 | | |
| -- | 1182906 | DRIP PAN AND LUBE SYSTEM, 3 Roll | | | | | | | | ref |
| -1 | 1164425 | SCREW, self tap sh met sl Hd type z Cad Pl No.10 x 5/8 In. | | | | | | | | 16 |
| -2 | 1183003 | OIL PAN WELDMENT, 24 In. | | | | | | | | 1 |
| -3 | 1183045 | CLIP, pan | | | | | | | | 3 |
| -4 | 1182963 | SCREW, self tap Sh Met Hex Hd type. z No. 14 x 3/8 In. | | | | | | | | 4 |
| -5 | 1183060 | GUTTER, oil 42 In. | | | | | | | | 1 |
| -6 | 1183029 | OIL PAN WELDMENT, 14 In. | | | | | | | | 1 |
| -7 | 1182971 | GUTTER, oil 6 In. | | | | | | | | 1 |
| -8 | 1183052 | GUTTER, oil 10 In. | | | | | | | | 1 |
| -9 | 1182955 | RIVET, pop 1/8 In. Dia x 1/8 In. | | | | | | | | 2 |
| -10 | 1182970 | CONNECTOR, 1/8 In. P x 1/8 In. T (68-F) | | | | | | | 30327 | 3 |
| -11 | 1035617 | PUMP AND RESERVOIR, oil 4-1/4 pint (82885XX) (For breakdown see figure 22.) | | | | | | | 04895 | 1 |
| -12 | 1028984 | INJECTOR, oil (83311-6) (For break- down see figure 21.) | | | | | | | 04895 | 1 |
| -13 | 1036367 | INJECTOR, oil (83311-5) (For break- down see figure 21.) | | | | | | | 04895 | 1 |
| -14 | 1151794 | PLUG, pipe Bla 1/8 In. NPT | | | | | | | | 1 |
| -15 | 1090414 | FITTING, compression 1/4 In. Od tube x In MPT (68-F) | | | | | | | 30317 | 3 |
| -16 | 1155092 | SCREW, cap hex. Hd Zn Pl 3/8-16 x 1 In. | | | | | | | | 2 |
| -17 | 1000827 | NUT, hex. Stl Zn Pl 3/8-16 | | | | | | | | 2 |
| -18 | 1167634 | LOCKWASHER, light external tooth Zn Pl 3/8 In. | | | | | | | | 2 |
| -19 | 1182948 | UNION, Brs 1/4 In. Od (62F) | | | | | | | 30327 | 1 |
| -20 | M-91227 | TUBING, steel 1/4 In. x .028 wall (62176) | | | | | | | 09761 | 7 Ft |
| -21 | M-91224 | TUBING, steel 1/8 In. x .020 wall (62175) | | | | | | | 09761 | 34 Ft |
| -22 | 1026111 | NIPPLE, pipe short Bla 1/8 In. x 2 In. | | | | | | | | 1 |
| -23 | 1164342 | COUPLING, pipe Stl 1/8 In. | | | | | | | | 1 |
| -24 | 1028992 | ELBOW, male comp Brs 1/8 In. T x 1/8 In. NPT (69F) | | | | | | | 30327 | 5 |
| -25 | 1182914 | CLIP, tube Sgl 1/8 In. tube (A2764) | | | | | | | 70295 | 6 |
| -26 | 1182922 | CLIP, tube Dbl 1/8 In. tube (B3567) | | | | | | | 70295 | 4 |
| -27 | 1180761 | CONNECTOR, Brs 1/4 In. Od x 1/4 In. MPT (68-F) | | | | | | | 30327 | 1 |
| -28 | 620-7800 | TIMER ASSEMBLY (For breakdown see figure 23.) | | | | | | | | |

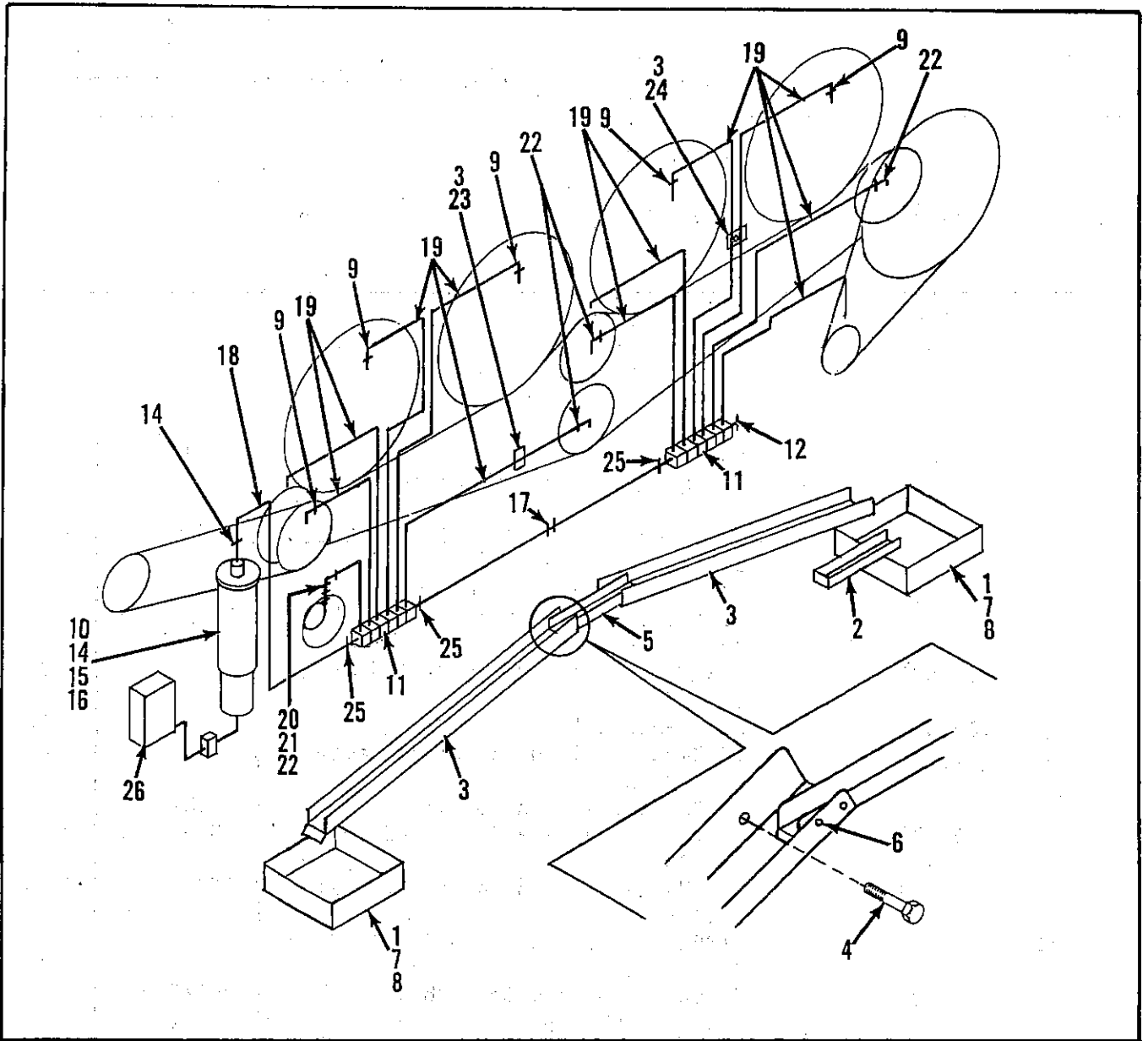


Figure 6-20b. Drip Pan and Lubrication System, 4 Roll

| ITEM NO. | PART NO. | DESCRIPTION | | | | | | | MFRS. CODE | UNITS PER ASSY |
|----------|----------|---|---|---|---|---|---|---|------------|----------------|
| | | 1 | 2 | 3 | 4 | 5 | 6 | 7 | | |
| | 1183078 | DRIP PAN AND LUBE SYSTEM 4 ROLL | | | | | | | | Ref |
| -1 | 1182971 | PAN, oil 6 In. | | | | | | | | 2 |
| -2 | 1183029 | OIL PAN WELDMENT 14 In. | | | | | | | | 1 |
| -3 | 1183060 | GUTTER, oil 42 In. | | | | | | | | 2 |
| -4 | 1182963 | SCREW, self tap Sh Met Hex.Hd type Z No. 14 x 3/8 In. | | | | | | | | 8 |
| -5 | 1183086 | GUTTER, oil 12 In. | | | | | | | | 1 |
| -6 | 1182955 | RIVET, pop 1/8 In. Dia x 1/8 In. | | | | | | | | 4 |
| -7 | 1183045 | CLIP, pan | | | | | | | | 4 |
| -8 | 1164425 | SCREW, self tap Sh Met Sl Hd type z Cad. Pl No. 10 x 5/8 In. | | | | | | | | 18 |
| -9 | 1182970 | CONNECTOR, 1/8 In. P x 1/8 In. T (68-F) | | | | | | | 30327 | 4 |
| -10 | 1035617 | PUMP AND RESERVOIR, oil 4-1/4 pint (82885XX) (For breakdown see figure 22.) | | | | | | | 04895 | 1 |
| -11 | 1028984 | INJECTOR, oil (83311-6) (For breakdown see figure 21.) | | | | | | | 04895 | 2 |
| -12 | 1151794 | PLUG, pipe Bla 1/8 In. NPT | | | | | | | | 1 |
| -13 | 1160761 | CONNECTOR, Brs 1/4 In. Od x 1/4 In. MPT (68-F) | | | | | | | 30327 | |
| -14 | 1155092 | SCREW, cap Hex. Hd Zn Pl 3/8-16 x 1 In. | | | | | | | | 2 |
| -15 | 1000827 | NUT, Hex. Stl Zn Pl 3/8-16 | | | | | | | | 2 |
| -16 | 1167634 | LOCKWASHER, light external tooth Zn Pl 3/8 In. | | | | | | | | 2 |
| -17 | 1182948 | UNION, Brs 1/4 In. Od (62-F) | | | | | | | 30327 | 1 |
| -18 | M-91227 | TUBING, steel 1/4 In. x .028 wall (62176) | | | | | | | 09761 | 9 Ft |
| -19 | M-91224 | TUBING, steel 1/8 In. x .020 wall (62175) | | | | | | | 09761 | 50Ft |
| -20 | 1026111 | NIPPLE, pipe short Bla 1/8 In. 2 In. | | | | | | | | 1 |
| -21 | 1164342 | COUPLING, pipe Stl 1/8 In. | | | | | | | | 1 |
| -22 | 1028992 | ELBOW, male Comp Brs 1/8 In. T x 1/8 In. NPT (69-F) | | | | | | | 30327 | 5 |
| -23 | 1182914 | CLIP, tube Sgl 1/8 In. tube (A2764) | | | | | | | 70295 | 6 |
| -24 | 1182922 | CLIP, tube Dbl 1/8 In. tube (B-3567) | | | | | | | 70295 | 4 |
| -25 | 1090414 | CONNECTOR, Brs 1/4 In. Od x 1/4 In. MPT (68-F) | | | | | | | 30327 | 3 |
| -26 | 620-7800 | TIMER ASSEMBLY (For breakdown see figure 23.) | | | | | | | | |

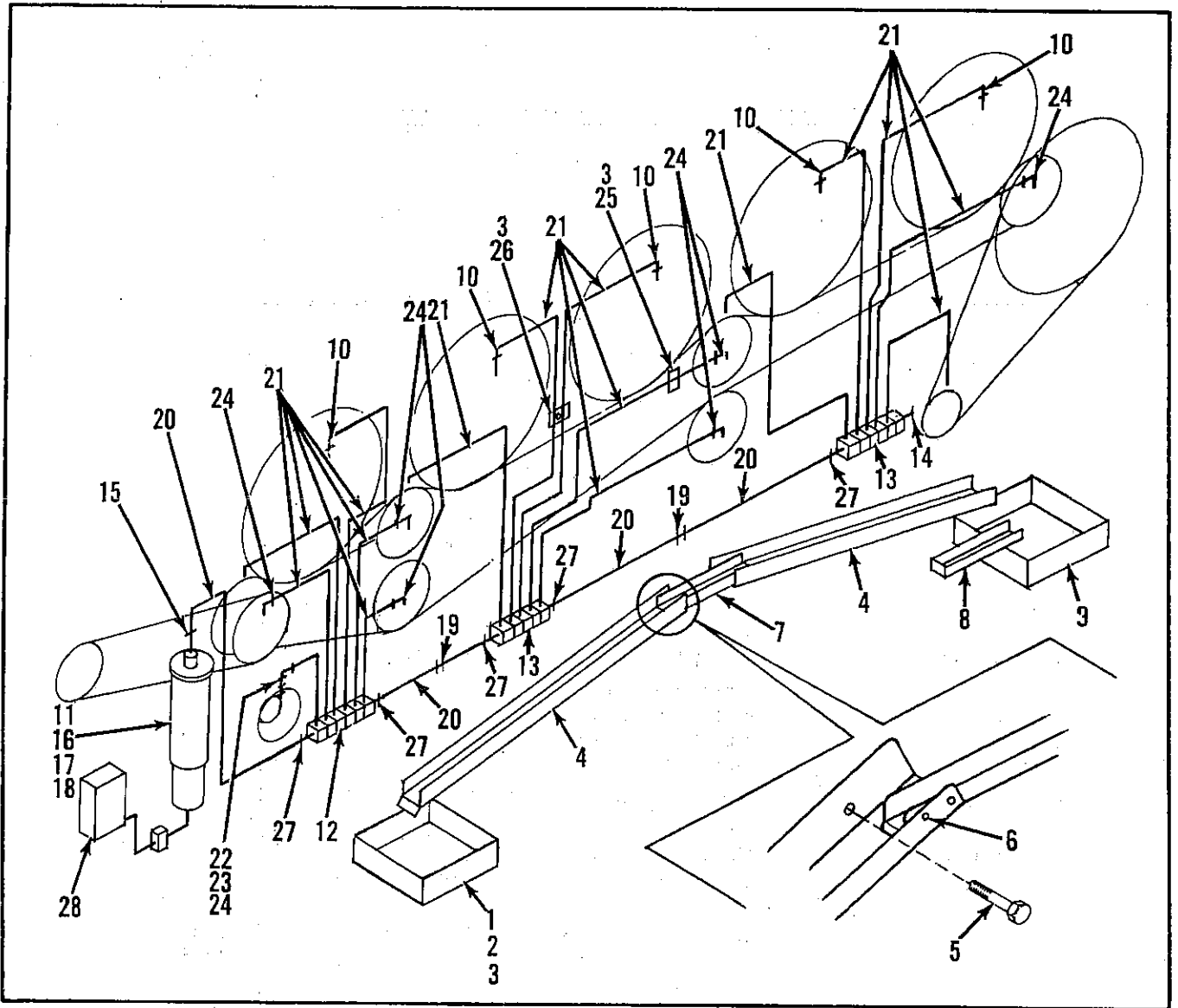


Figure 6-20c. Drip Pan and Lubrication System, 5 Roll

| ITEM NO. | PART NO. | DESCRIPTION | | | | | | | MFRS. CODE | UNITS PER ASSY |
|----------|----------|---|---|---|---|---|---|---|------------|----------------|
| | | 1 | 2 | 3 | 4 | 5 | 6 | 7 | | |
| -- | 1183094 | DRIP PAN AND LUBE SYSTEM 5 ROLL | | | | | | | | Ref |
| -1 | 1183003 | OIL PAN WELDMENT 24 In. | | | | | | | | 1 |
| -2 | 1183045 | CLIP, pan | | | | | | | | 2 |
| -3 | 1164425 | SCREW, self tap Sh Met S1 Hd type z Cad. P1 No. 10 x 5/8 In. | | | | | | | | 16 |
| -4 | 1183060 | GUTTER, oil 42 In. | | | | | | | | 2 |
| -5 | 1182963 | SCREW, self tap Sh Met Hex.Hd type z No. 14 x 3/8 In. | | | | | | | | 8 |
| -6 | 1182955 | RIVET, pop 1/8 In. Dia x 1/8 In. | | | | | | | | 4 |
| -7 | 1183086 | GUTTER, oil 12 In. | | | | | | | | 1 |
| -8 | 1183029 | OIL PAN WELDMENT, 14 In. | | | | | | | | 1 |
| -9 | 1182971 | OIL PAN WELDMENT, 16 In. | | | | | | | | 1 |
| -10 | 1182970 | CONNECTOR, 1/8 In. P x 1/8 In. T (68-F) | | | | | | | | 5 |
| -11 | 1035617 | PUMP AND RESERVOIR, oil 4-1/4 pint (82885xx) (For breakdown see figure 22.) | | | | | | | 04895 | 1 |
| -12 | 1028984 | INJECTOR, oil (83311-6) (For break- down see figure 21.) | | | | | | | 04895 | 1 |
| -13 | 1036367 | INJECTOR, oil (83311-5) (For break- down see figure 21.) | | | | | | | 04895 | 2 |
| -14 | 1151794 | PLUG, pipe Bla 1/8 In. NPT | | | | | | | | 1 |
| -15 | 1160761 | CONNECTOR, Brs 1/4 In. Od x 1/4 In. MPT (68-F) | | | | | | | 30327 | 1 |
| -16 | 1155092 | SCREW, cap Hex. Hd Zn Pl 3/8-16 x 1 In. | | | | | | | | 1 |
| -17 | 1000827 | NUT, Hex. Stl Zn Pl 3/8-16 | | | | | | | | 2 |
| -18 | 1167634 | LOCKWASHER, light external tooth Zn Pl 3/8 In. | | | | | | | | 2 |
| -19 | 1182948 | UNION, Brs 1/4 In. Od (62-F) | | | | | | | 30327 | 2 |
| -20 | M-91227 | TUBING, steel 1/4 In. x .028 wall (62176) | | | | | | | 09761 | 11Ft |
| -21 | M-91224 | TUBING, steel 1/8 In. x .020 wall (62175) | | | | | | | 09761 | 50Ft |
| -22 | 1026111 | NIPPLE, pipe short Bla 1/8 In. 2 In. | | | | | | | | 1 |
| -23 | 1164342 | COUPLING, pipe Stl 1/8 In. | | | | | | | | 1 |
| -24 | 1028992 | ELBOW, male Comp Brs 1/8 In. T x 1/8 In. NPT (69-F) | | | | | | | 30327 | 7 |
| -25 | 1182914 | CLIP, tube Sgl 1/8 In. tube (A2764) | | | | | | | 70295 | 6 |
| -26 | 1182922 | CLIP, tube Dbl 1/8 In. tube (B-3567) | | | | | | | 70295 | 6 |
| -27 | 1090414 | CONNECTOR, Brs 1/4 In. Od x 1/4 In. MPT (68-F) | | | | | | | 30327 | 5 |
| -28 | 620-7800 | TIMER ASSEMBLY (For breakdown see figure 23.) | | | | | | | | |

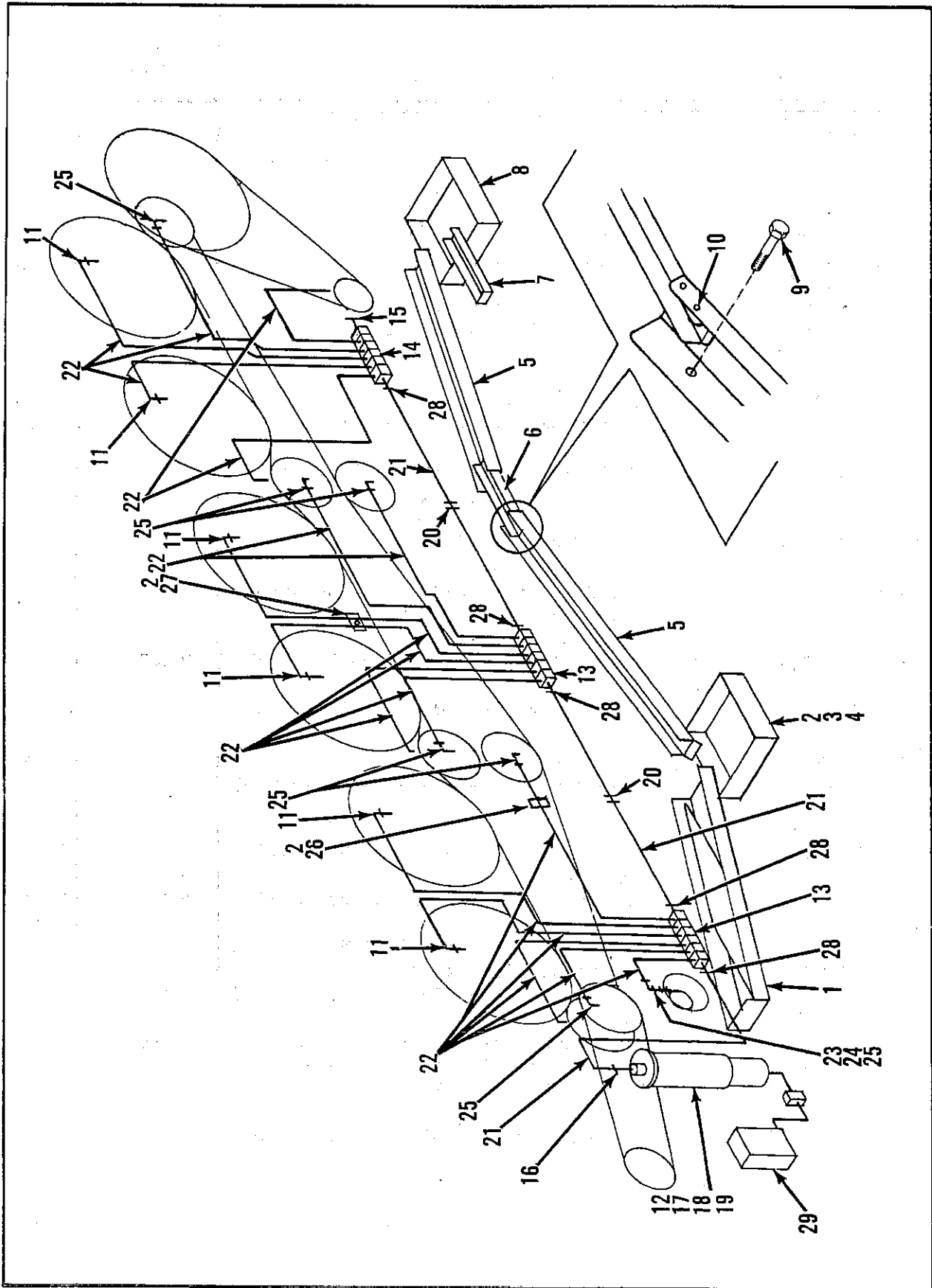


Figure 6-20d. Drip Pan and Lubrication System, 6 Roll

| ITEM NO. | PART NO. | DESCRIPTION | | | | | | | MFRS. CODE | UNITS PER ASSY |
|----------|----------|---|---|---|---|---|---|---|------------|----------------|
| | | 1 | 2 | 3 | 4 | 5 | 6 | 7 | | |
| | 1183102 | DRIP PAN AND LUBE SYSTEM 6 ROLL | | | | | | | | Ref |
| -1 | 1183136 | GUTTER, oil 45 in. | | | | | | | | 2 |
| -2 | 1164425 | SCREW, self tap Sh Met S1 Hd type z Cad. P1 No. 10 x 5/8 in. | | | | | | | | 16 |
| -3 | 1183110 | OIL PAN WELDMENT 12 in. | | | | | | | | 1 |
| -4 | 1183045 | CLIP, pan | | | | | | | | 2 |
| -5 | 1183060 | GUTTER, oil 42 in. | | | | | | | | 2 |
| -6 | 1183086 | GUTTER, oil 12 in. | | | | | | | | 1 |
| -7 | 1183029 | OIL PAN WELDMENT 14 in. | | | | | | | | 1 |
| -8 | 1182971 | OIL PAN WELDMENT 6 in. | | | | | | | | 1 |
| -9 | 1182963 | SCREW, self tap Sh Met Hex. Hd type z No. 14 x 3/8 in. | | | | | | | | 12 |
| -10 | 1182955 | RIVET, pop 1/8 in. Dia x 1/8 in. | | | | | | | | 4 |
| -11 | 1182970 | CONNECTOR, 1/8 in. P x 1/8 in. T (68-F) | | | | | | | 30327 | 6 |
| -12 | 1035617 | PUMP AND RESERVOIR, oil 4-1/4 pint (82885xx) (For breakdown see figure 22.) | | | | | | | 04895 | 1 |
| -13 | 1028984 | INJECTOR, oil (83311-6) (For breakdown see figure 21.) | | | | | | | 04895 | 2 |
| -14 | 1036367 | INJECTOR, oil (83311-5) (For breakdown see figure 21.) | | | | | | | 04895 | 1 |
| -15 | 1151794 | PLUG, pipe Bl a 1/8 in. NPT | | | | | | | | 1 |
| -16 | 1160761 | CONNECTOR, Brs 1/4 in. Od x 1/4 in. MPT (68-F) | | | | | | | 30327 | 1 |
| -17 | 1155092 | SCREW, cap Hex. Hd Zn P1 3/8-16 x 1 in. | | | | | | | | 2 |
| -18 | 1000827 | NUT, hex. Stl Zn P1 3/8-16 | | | | | | | | 2 |
| -19 | 1167634 | LOCKWASHER, light external tooth Zn P1 3/8 in. | | | | | | | | 2 |
| -20 | 1182948 | UNION, Brs 1/4 in. Od (62-F) | | | | | | | 30327 | 2 |
| -21 | M-91227 | TUBING, steel 1/4 in. x .028 wall (62176) | | | | | | | 09761 | 14Ft |
| -22 | M-91224 | TUBING, steel 1/8 in. x .020 wall (62175) | | | | | | | 09761 | 60Ft |
| -23 | 1026111 | NIPPLE, pipe short Bl a 1/8 in. 2 in. | | | | | | | | 1 |
| -24 | 1164342 | COUPLING, pipe Stl 1/8 in. | | | | | | | | 1 |
| -25 | 1028992 | ELBOW, male Comp Brs 1/8 in. T x 1/8 in. NPT (69-F) | | | | | | | 30327 | 7 |
| -26 | 1182914 | CLIP, tube Sgl 1/8 in. tube (A2764) | | | | | | | 70295 | 6 |
| -27 | 1182922 | CLIP, tube Dbl 1/8 in. tube (B-3567) | | | | | | | 70295 | 6 |
| -28 | 1090414 | CONNECTOR, Brs 1/4 in. Od x 1/4 in. MPT (68-F) | | | | | | | 30327 | 5 |
| -29 | 620-7800 | TIMER ASSEMBLY (For breakdown see figure 23.) | | | | | | | | |

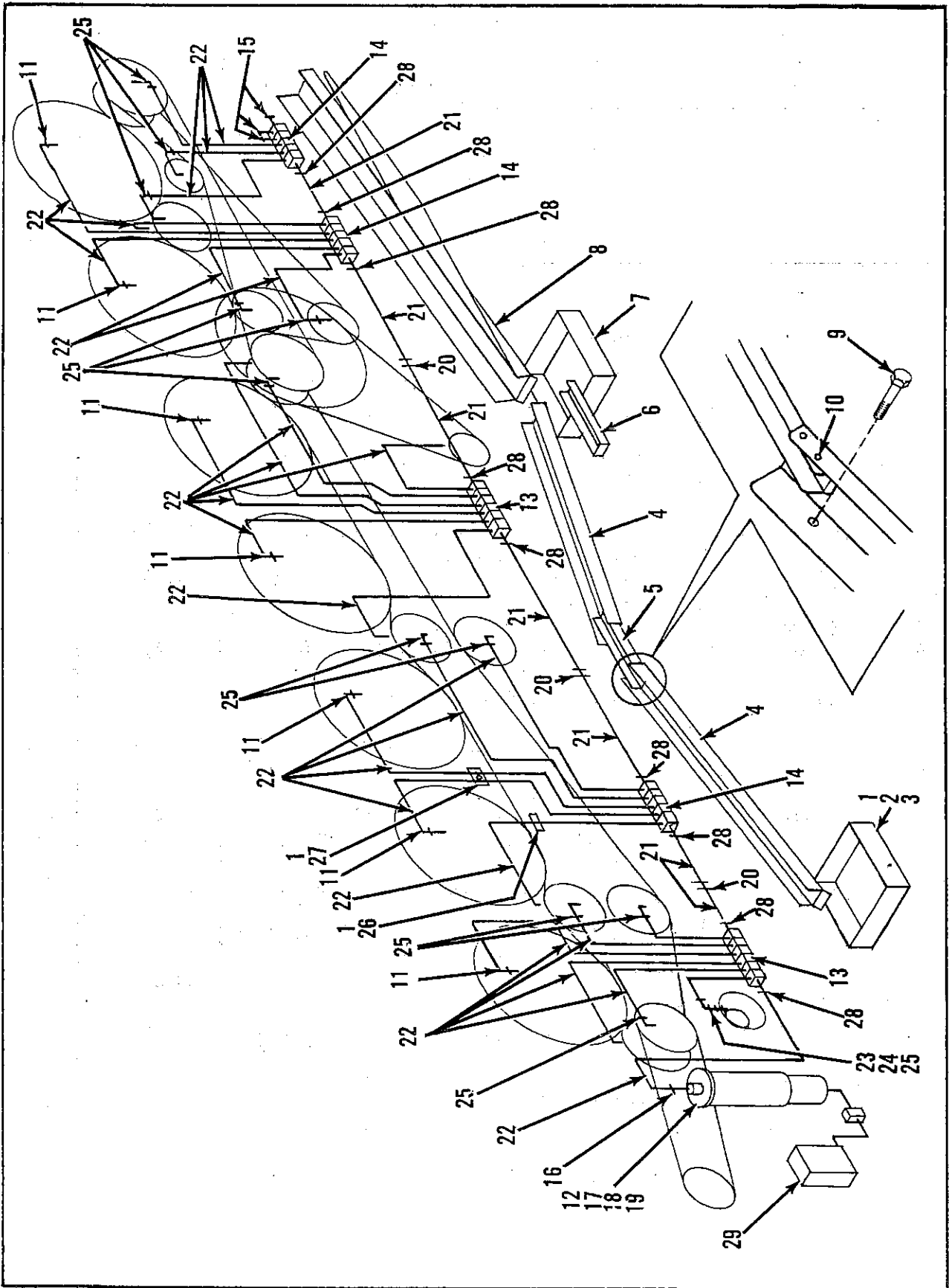


Figure 6-20e. Drip Pan and Lubrication System, 7 Roll

| ITEM NO. | PART NO. | DESCRIPTION | | | | | | | MFRS. CODE | UNITS PER ASSY |
|----------|----------|---|---|---|---|---|---|---|------------|----------------|
| | | 1 | 2 | 3 | 4 | 5 | 6 | 7 | | |
| -- | 1183144 | DRIP PAN AND LUBE SYSTEM 7 ROLL | | | | | | | | Ref |
| -1 | 1164425 | SCREW, self tap Sh Met S1 Hd type z Cad.PI No. 10 x 5/8 In. | | | | | | | | 28 |
| -2 | 1183003 | OIL PAN WELDMENT 24 In. | | | | | | | | 1 |
| -3 | 1183045 | CLIP, pan | | | | | | | | 4 |
| -4 | 1183060 | GUTTER, oil 42 In. | | | | | | | | 2 |
| -5 | 1183029 | OIL PAN WELDMENT 14 In. | | | | | | | | 1 |
| -6 | 1182971 | OIL PAN WELDMENT 6 In. | | | | | | | | 1 |
| -7 | 1183086 | GUTTER, oil 12 In. | | | | | | | | 1 |
| -8 | 1183136 | GUTTER, oil 45 In. | | | | | | | | 1 |
| -9 | 1182963 | SCREW, self tap Sh Met Hex Hd type z No. 14 x 3/8 In. | | | | | | | | 12 |
| -10 | 1182955 | RIVET, pop 1/8 In. Dia x 1/8 In. | | | | | | | | 4 |
| -11 | 1182970 | CONNECTOR, 1/8 In. P x 1/8 In. T (68-F) | | | | | | | 30327 | 7 |
| -12 | 1035617 | PUMP AND RESERVOIR, oil 4-1/4 pint (82885xx) (For breakdown see figure 22.) | | | | | | | 04895 | 1 |
| -13 | 1028984 | INJECTOR, oil (83311-6) (For break- down see figure 21.) | | | | | | | 04895 | 2 |
| -14 | 1036367 | INJECTOR, oil (83311-5) (For break- down see figure 21.) | | | | | | | 04895 | 3 |
| -15 | 1151794 | PLUG, pipe Bla 1/8 In. NPT | | | | | | | | 3 |
| -16 | 1160761 | CONNECTOR, Brs 1/4 In.Od x 1/4 In. MPT (68-F) | | | | | | | 30327 | 1 |
| -17 | 1155092 | SCREW, cap Hex Hd Zn Pl 3/8-16 x 1 In. | | | | | | | | 2 |
| -18 | 1000827 | NUT, hex Stl Zn Pl 3/8-16 | | | | | | | | 2 |
| -19 | 1167634 | LOCKWASHER, light external tooth Zn Pl 3/8 In. | | | | | | | | 2 |
| -20 | 1182948 | UNION, Brs 1/4 In. Od (62-F) | | | | | | | 30327 | 3 |
| -21 | M-91227 | TUBING, steel 1/4 In. x .028 wall (62176) | | | | | | | 09761 | 18Ft |
| -22 | M-91224 | TUBING, steel 1/8 In. x .020 wall (62175) | | | | | | | 09761 | 70Ft |
| -23 | 1026111 | NIPPLE, pipe short Bla 1/8 In. 2 In. | | | | | | | | 1 |
| -24 | 1164342 | COUPLING, pipe Stl 1/8 In. | | | | | | | | 1 |
| -25 | 1028992 | ELBOW, male Comp Brs 1/8 In.T x 1/8 In. NPT (69-F) | | | | | | | 30327 | 12 |
| -26 | 1182914 | CLIP, tube Sgl 1/8 In. tube (A2764) | | | | | | | 70295 | 12 |
| -27 | 1182922 | CLIP, tube Dbl 1/8 In. tube (B-3567) | | | | | | | 70295 | 8 |
| -28 | 1090414 | CONNECTOR, Brs 1/4 In.Od x 1/4 In. MPT (68-F) | | | | | | | 30327 | 9 |
| -29 | 620-7800 | TIMER ASSEMBLY (For breakdown see figure 23.) | | | | | | | | |

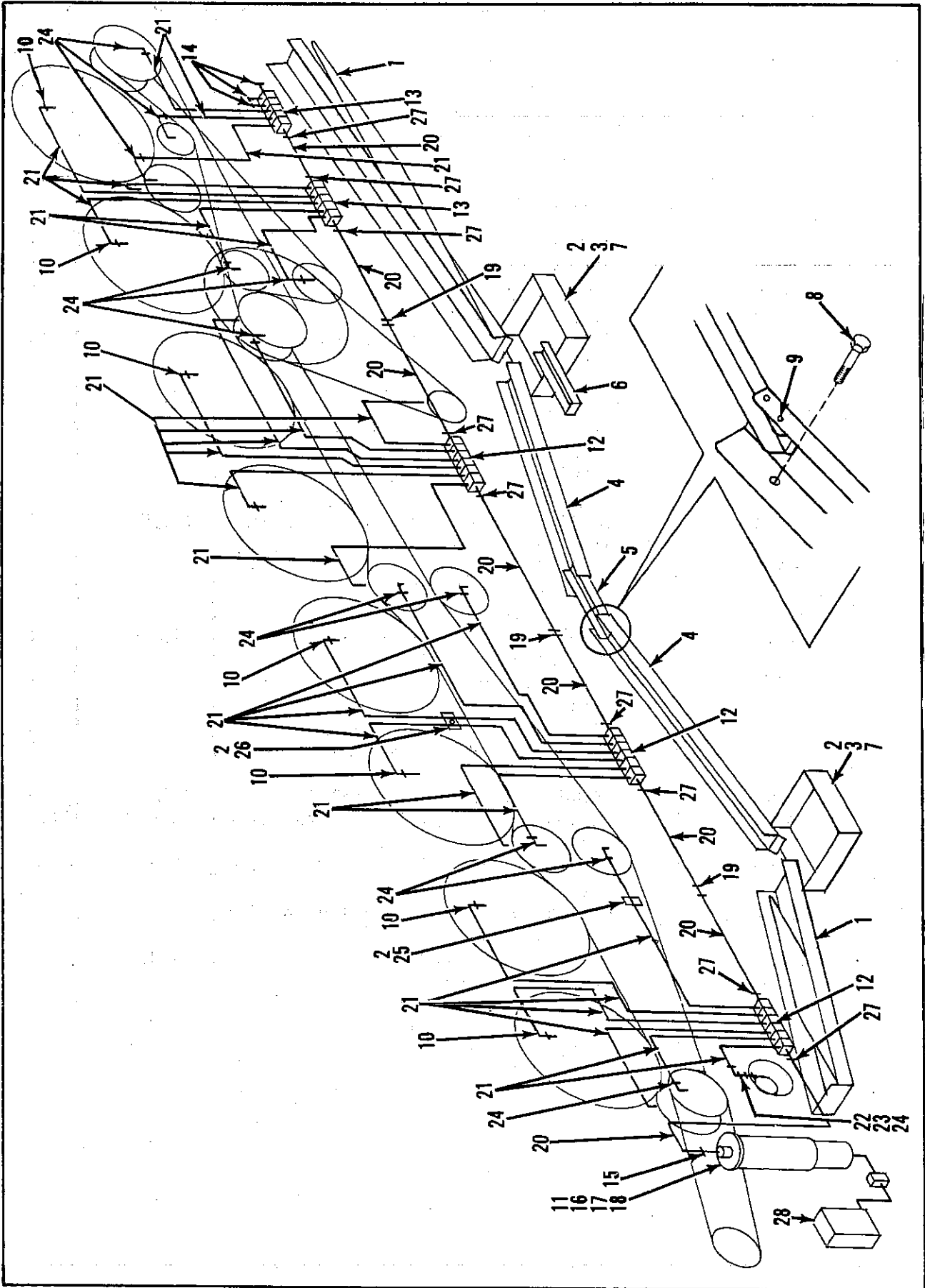


Figure 6-20f. Drip Pan and Lubrication System, 8 Roll

PRODUCT CODE 152

| ITEM NO. | PART NO. | DESCRIPTION | | | | | | | MFRS. CODE | UNITS PER ASSY |
|----------|----------|---|---|---|---|---|---|---|------------|----------------|
| | | 1 | 2 | 3 | 4 | 5 | 6 | 7 | | |
| -- | 1183151 | DRIP PAN AND LUBE SYSTEM 8 ROLL | | | | | | | | |
| -1 | 1183136 | GUTTER, oil 45 in. | | | | | | | | 2 |
| -2 | 1164425 | SCREW, self tap Sh Met S1 Hd type z Cad. P1 No. 10 x 5/8 in. | | | | | | | | 28 |
| -3 | 1183045 | CLIP, pan | | | | | | | | 4 |
| -4 | 1183060 | GUTTER, oil 42 in. | | | | | | | | 2 |
| -5 | 1183086 | GUTTER, oil 12 in. | | | | | | | | 1 |
| -6 | 1183029 | OIL PAN WELDMENT 14 in. | | | | | | | | 1 |
| -7 | 1183110 | OIL PAN WELDMENT 12 in. | | | | | | | | 2 |
| -8 | 1182963 | SCREW, self tap Sh Met Hex.Hd type z No. 14 x 3/8 in. | | | | | | | | 16 |
| -9 | 1182955 | RIVET, pop 1/8 in. Dia x 1/8 in. | | | | | | | | 4 |
| -10 | 1182970 | CONNECTOR, 1/8 in. P x 1/8 in. T (68-F) | | | | | | | 30327 | 8 |
| -11 | 1035617 | PUMP AND RESERVOIR, oil 4-1/4 pint (82885xx) (For breakdown see figure 22.) | | | | | | | 04895 | 1 |
| -12 | 1028984 | INJECTOR, oil (83311-6) (For breakdown see figure 21.) | | | | | | | 04895 | 3 |
| -13 | 1036367 | INJECTOR, oil (83311-5) (For breakdown see figure 21.) | | | | | | | | 2 |
| -14 | 1151794 | PLUG, pipe Bla 1/8 in. NPT | | | | | | | | 3 |
| -15 | 1160761 | CONNECTOR, Brs 1/4 in. Od x 1/4 in. MPT (68-F) | | | | | | | 30327 | 1 |
| -16 | 1155092 | SCREW, cap Hex. Hd Zn P1 3/8-16 x 1 in. | | | | | | | | 2 |
| -17 | 1000827 | NUT, Hex. Stl Zn P1 3/8-16 | | | | | | | | 2 |
| -18 | 1167634 | LOCKWASHER, light external tooth Zn P1 3/8 in. | | | | | | | | 2 |
| -19 | 1182948 | UNION, Brs 1/4 in. Od (62-F) | | | | | | | 30327 | 3 |
| -20 | M-91227 | TUBING, steel 1/4 in. x .028 wall (62176) | | | | | | | 09761 | 18 Ft |
| -21 | M-91224 | TUBING, steel 1/8 in. x .020 wall (62175) | | | | | | | 09761 | 80 Ft |
| -22 | 1026111 | NIPPLE, pipe short Bla 1/8 in. 2 in. | | | | | | | | 1 |
| -23 | 1164342 | COUPLING, pipe Stl 1/8 in. | | | | | | | | 1 |
| -24 | 1028992 | ELBOW, male Comp Brs 1/8 in. T x 1/8 in. NPT (69-F) | | | | | | | 30327 | 12 |
| -25 | 1182914 | CLIP, tube Sgl 1/8 in. tube (A2764) | | | | | | | 70295 | 12 |
| -26 | 1182922 | CLIP, tube Dbl 1/8 in. tube (B-3567) | | | | | | | 70295 | 8 |
| -27 | 1090414 | CONNECTOR, Brs 1/4 in. Od x 1/4 in. MPT (68-F) | | | | | | | 30327 | 9 |
| -28 | 620-7800 | TIMER ASSEMBLY (For breakdown see figure 23.) | | | | | | | | |

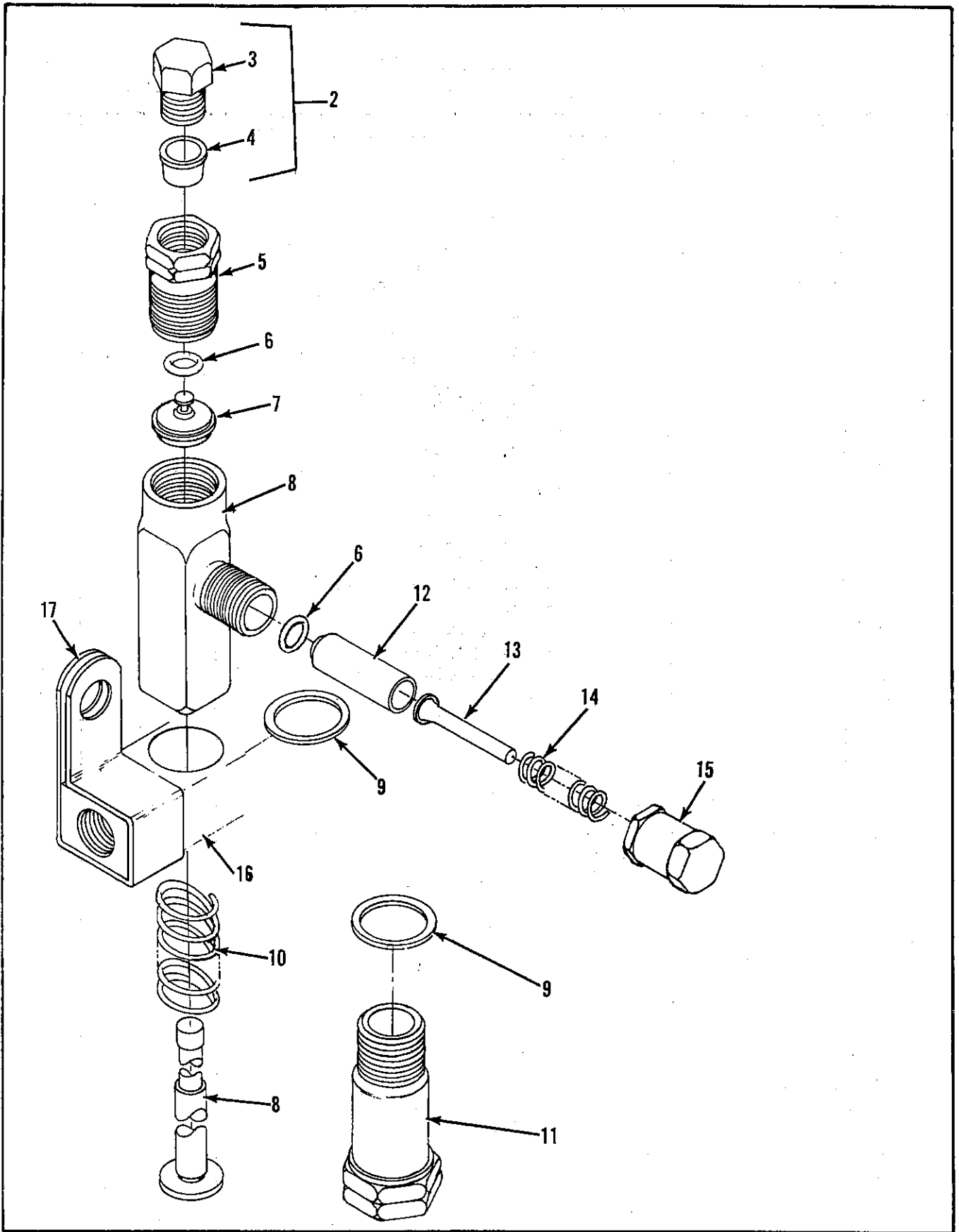


Figure 6-21. Oil Injector

PRODUCT CODE 152

| ITEM NO. | PART NO. | DESCRIPTION | | | | | | | MFRS. CODE | UNITS PER ASSY |
|----------|----------|-------------|---|---|---|---|---|---|------------|----------------|
| | | 1 | 2 | 3 | 4 | 5 | 6 | 7 | | |
| -1 | | | | | | | | INJECTOR, oil (Specify one of the following:) | 04895 | 1 |
| -1-1 | 1036367 | | | | | | | INJECTOR, oil (83311-5) | 04895 | |
| -1-2 | 1028984 | | | | | | | INJECTOR, oil (83311-6) | 04895 | |
| -2 | | | | | | | | COMPRESSION NUT ASSY (83924) | | 1 |
| -3 | | | | | | | | NUT, compression (14658) | | 1 |
| -4 | | | | | | | | FERRULE (14659) | | 1 |
| -5 | | | | | | | | BODY, outlet (14986) | | 1 |
| -6 | | | | | | | | O-RING (34241) | | 2 |
| -7 | | | | | | | | SEAT, check (14987) | | 2 |
| -8 | | | | | | | | BODY AND PLUNGER ASSY (92162) | | 1 |
| -9 | | | | | | | | GASKET (31138) | | 2 |
| -10 | | | | | | | | SPRING (55300) | | 1 |
| -11 | | | | | | | | ADAPTER (13871) | | 1 |
| -12 | | | | | | | | RETAINER, packing (14074) | | 1 |
| -13 | | | | | | | | INDICATOR, injector (13867) | | 1 |
| -14 | | | | | | | | SPRING (55301) | | 1 |
| -15 | | | | | | | | CAP, indicator (13872) | | 1 |
| -16 | | | | | | | | MANIFOLD (Specify one of the following:) | | 1 |
| -16-1 | | | | | | | | MANIFOLD, for oil injector 83311-5 (14361) | | |
| -16-2 | | | | | | | | MANIFOLD, for oil injector 83311-6 (91976-1) | | |
| -17 | | | | | | | | CLIP, manifold mounting (45924) | | 2 |
| -18 | | | | | | | | SCREW, 1/4-20 x 1/2 in.lg mounting (50109) | | 2 |

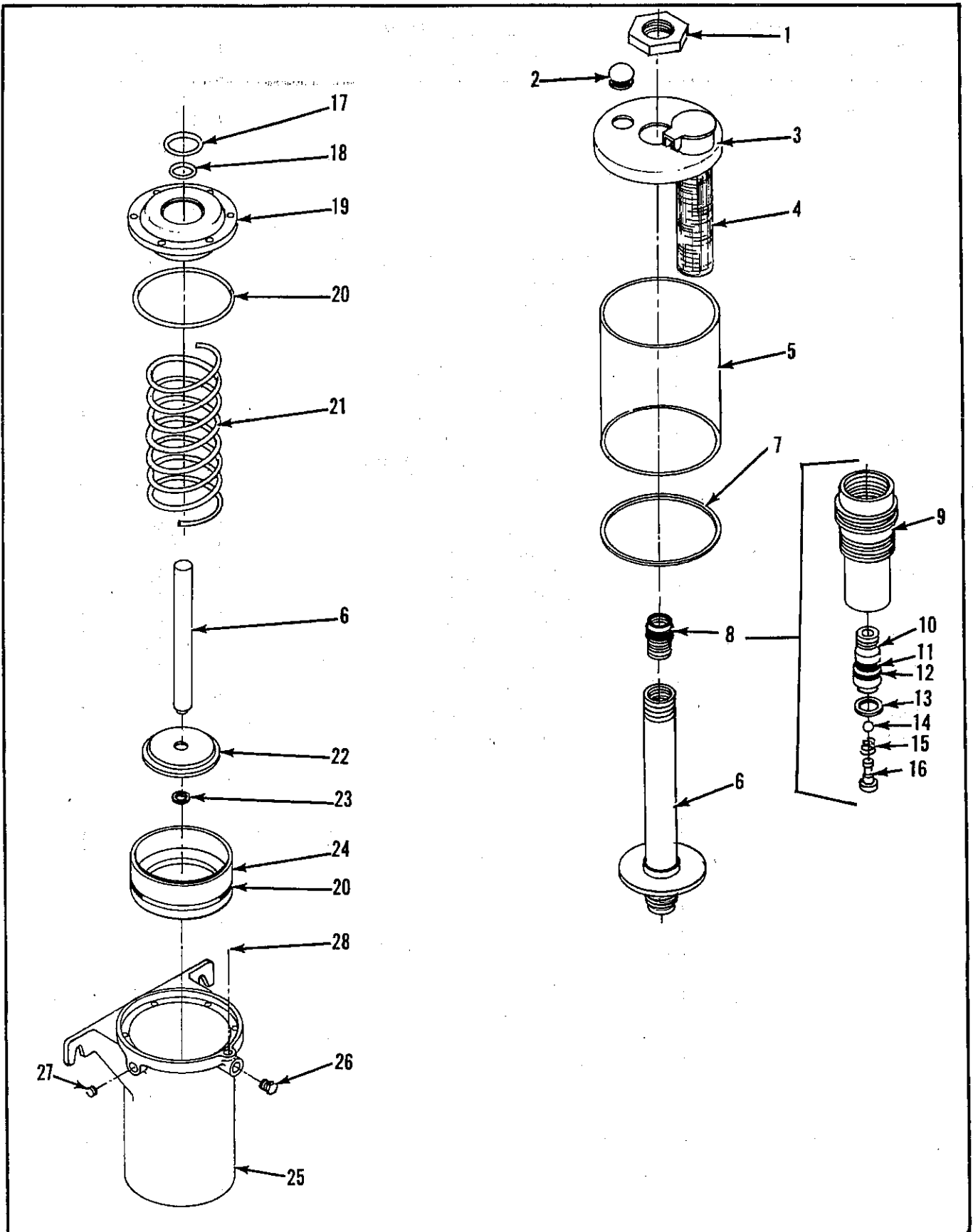


Figure 6-22. Oil Pump

PRODUCT CODE 152

| ITEM NO. | PART NO. | DESCRIPTION | | | | | | | MFRS. CODE | UNITS PER ASSY |
|----------|----------|----------------------------------|---|---|---|---|---|---|------------|----------------|
| | | 1 | 2 | 3 | 4 | 5 | 6 | 7 | | |
| -- | 1035617 | PUMP, oil (82885XX) | | | | | | | 04895 | |
| -1 | | NUT (51083) | | | | | | | 04895 | 1 |
| -2 | | BUTTON, plug (68797) | | | | | | | 04895 | 1 |
| -3 | | COVER ASSY (92180) | | | | | | | 04895 | 1 |
| -4 | | STRAINER (69128) | | | | | | | 04895 | 1 |
| -5 | | RESERVOIR (41513) | | | | | | | 04895 | 1 |
| -6 | | BUSHING AND PLUNGER ASSY (92685) | | | | | | | 04895 | 1 |
| -7 | | *GASKET (34274) | | | | | | | 04895 | 1 |
| -8 | | CHECK ASSY (84174) | | | | | | | 04895 | 1 |
| -9 | | BODY, outlet | | | | | | | 04895 | 1 |
| -10 | | BODY, check | | | | | | | 04895 | 1 |
| -11 | | *GASKET (34445) | | | | | | | 04895 | 1 |
| -12 | | *O-RING (34368) | | | | | | | 04895 | 1 |
| -13 | | *GASKET (31020) | | | | | | | 04895 | 1 |
| -14 | | *BALL (66250) | | | | | | | 04895 | 1 |
| -15 | | *SPRING (56106) | | | | | | | 04895 | 1 |
| -16 | | BALL STOP (14288) | | | | | | | 04895 | 1 |
| -17 | | *GASKET (31086) | | | | | | | 04895 | 1 |
| -18 | | *O-RING (34211) | | | | | | | 04895 | 1 |
| -19 | | CYLINDER END | | | | | | | 04895 | 1 |
| -20 | | *O-RING (34358) | | | | | | | 04895 | 2 |
| -21 | | SPRING (55289) | | | | | | | 04895 | 1 |
| -22 | | WASHER, thrust (45872) | | | | | | | 04895 | 1 |
| -23 | | RING, retaining (68530) | | | | | | | 04895 | 1 |
| -24 | | PISTON (40477) | | | | | | | 04895 | 1 |
| -25 | | CASTING, cylinder (41238) | | | | | | | 04895 | 1 |
| -26 | | PLUG, pipe (67117) | | | | | | | 04895 | 1 |
| -27 | | FILTER (69295) | | | | | | | 04895 | 1 |
| -28 | | PLUG, pipe (12511) | | | | | | | 04895 | 1 |

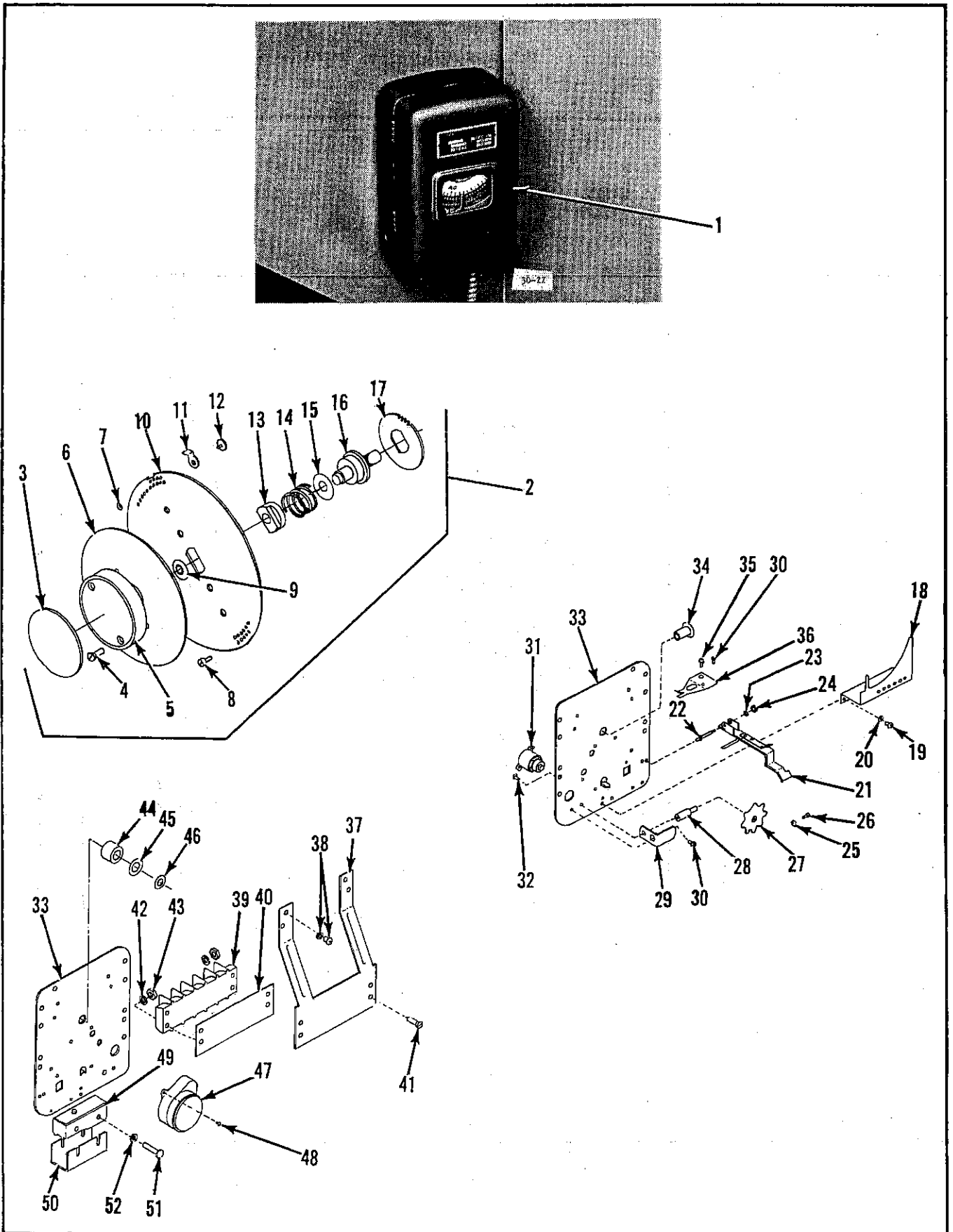


Figure 6-23. Timer Assembly

PRODUCT CODE 152

| ITEM NO. | PART NO. | DESCRIPTION | | | | | | | MFRS. CODE | UNITS PER ASSY |
|----------|----------|---------------------------|---|---|---|---|---|---|------------|----------------|
| | | 1 | 2 | 3 | 4 | 5 | 6 | 7 | | |
| -1 | | TIMER ASSY (620-7800) | | | | | | | 04221 | 1 |
| -2 | | DIAL ASSY (675-0031) | | | | | | | 04221 | 1 |
| -3 | | LABEL (340-0010) | | | | | | | 04221 | 1 |
| -4 | | SCREW (301-0505) | | | | | | | 04221 | 1 |
| -5 | | KNOB, dial (061-4003) | | | | | | | 04221 | 1 |
| -6 | | DIAL (171-0217) | | | | | | | 04221 | 1 |
| -7 | | RIVET (270-0616) | | | | | | | 04221 | a/r |
| -8 | | SCREW, pin (300-0305) | | | | | | | 04221 | 12 |
| -9 | | NUT, push-on (065-6702) | | | | | | | 04221 | 1 |
| -10 | | DIAL (171-0229) | | | | | | | 04221 | 1 |
| -11 | | ARM, trip (010-6668) | | | | | | | 04221 | 1 |
| -12 | | RIVET (270-0602) | | | | | | | 04221 | 1 |
| -13 | | BUSHING (091-0642) | | | | | | | 04221 | 1 |
| -14 | | SPRING (247-6896) | | | | | | | 04221 | 1 |
| -15 | | WASHER (540-5629) | | | | | | | 04221 | 1 |
| -16 | | STUD, clutch (510-0699) | | | | | | | 04221 | 1 |
| -17 | | GEAR, (033-6003) | | | | | | | 04221 | 1 |
| -18 | | POINTER, time (131-6614) | | | | | | | 04221 | 1 |
| -19 | | SCREW (314-0021) | | | | | | | 04221 | 2 |
| -20 | | WASHER (540-0629) | | | | | | | 04221 | 2 |
| -21 | | ARM (600-0207) | | | | | | | 04221 | 1 |
| -22 | | STUD (510-6619) | | | | | | | 04221 | 1 |
| -23 | | WASHER (540-0629) | | | | | | | 04221 | 1 |
| -24 | | NUT (066-6607) | | | | | | | 04221 | 1 |
| -25 | | POINTER (131-6615) | | | | | | | 04221 | 1 |
| -26 | | SCREW (312-0122) | | | | | | | 04221 | 1 |
| -27 | | CAM ASSY (657-0069) | | | | | | | 04221 | 1 |
| -28 | | STUD (513-6624) | | | | | | | 04221 | 1 |
| -29 | | ARM, brake (010-5610) | | | | | | | 04221 | 1 |
| -30 | | SCREW (312-0122) | | | | | | | 04221 | 2 |
| -31 | | PUSHBUTTON (320-0004) | | | | | | | 04221 | 1 |
| -32 | | SCREW (321-0023) | | | | | | | 04221 | 1 |
| -33 | | PLATE (397-6650) | | | | | | | 04221 | 1 |
| -34 | | BUSHING (091-0650) | | | | | | | 04221 | 1 |
| -35 | | SCREW (314-0081) | | | | | | | 04221 | 2 |
| -36 | | TRIP, finger (200-0512) | | | | | | | 04221 | 1 |
| -37 | | BRACKET, (084-0210) | | | | | | | 04221 | 1 |
| -38 | | SCREW (312-0022) | | | | | | | 04221 | 4 |
| -39 | | TERMINAL BLOCK (033-0051) | | | | | | | 04221 | 1 |
| -40 | | INSULATOR (292-4035) | | | | | | | 04221 | 1 |
| -41 | | SCREW (312-0210) | | | | | | | 04221 | 4 |
| -42 | | WASHER (540-6659) | | | | | | | 04221 | 4 |
| -43 | | NUT (066-6616) | | | | | | | 04221 | 4 |
| -44 | | SLEEVE (136-0623) | | | | | | | 04221 | 1 |
| -45 | | WASHER, spring (540-6703) | | | | | | | 04221 | 1 |
| -46 | | NUT, push-on (065-6702) | | | | | | | 04221 | 1 |
| -47 | | MOTOR (260-0541) | | | | | | | 04221 | 1 |
| -48 | | SCREW (310-0061) | | | | | | | 04221 | 1 |
| -49 | | SWITCH (323-0073) | | | | | | | 04221 | 1 |

PRODUCT CODE 152

| ITEM NO. | PART NO. | DESCRIPTION | | | | | | | MFRS. CODE | UNITS PER ASSY |
|----------|----------|-------------|---|---|---|---|---|---|------------|----------------|
| | | 1 | 2 | 3 | 4 | 5 | 6 | 7 | | |
| -50 | | | | | | | | | 04221 | 1 |
| -51 | | | | | | | | | 04221 | 2 |
| -52 | | | | | | | | | 04221 | 2 |

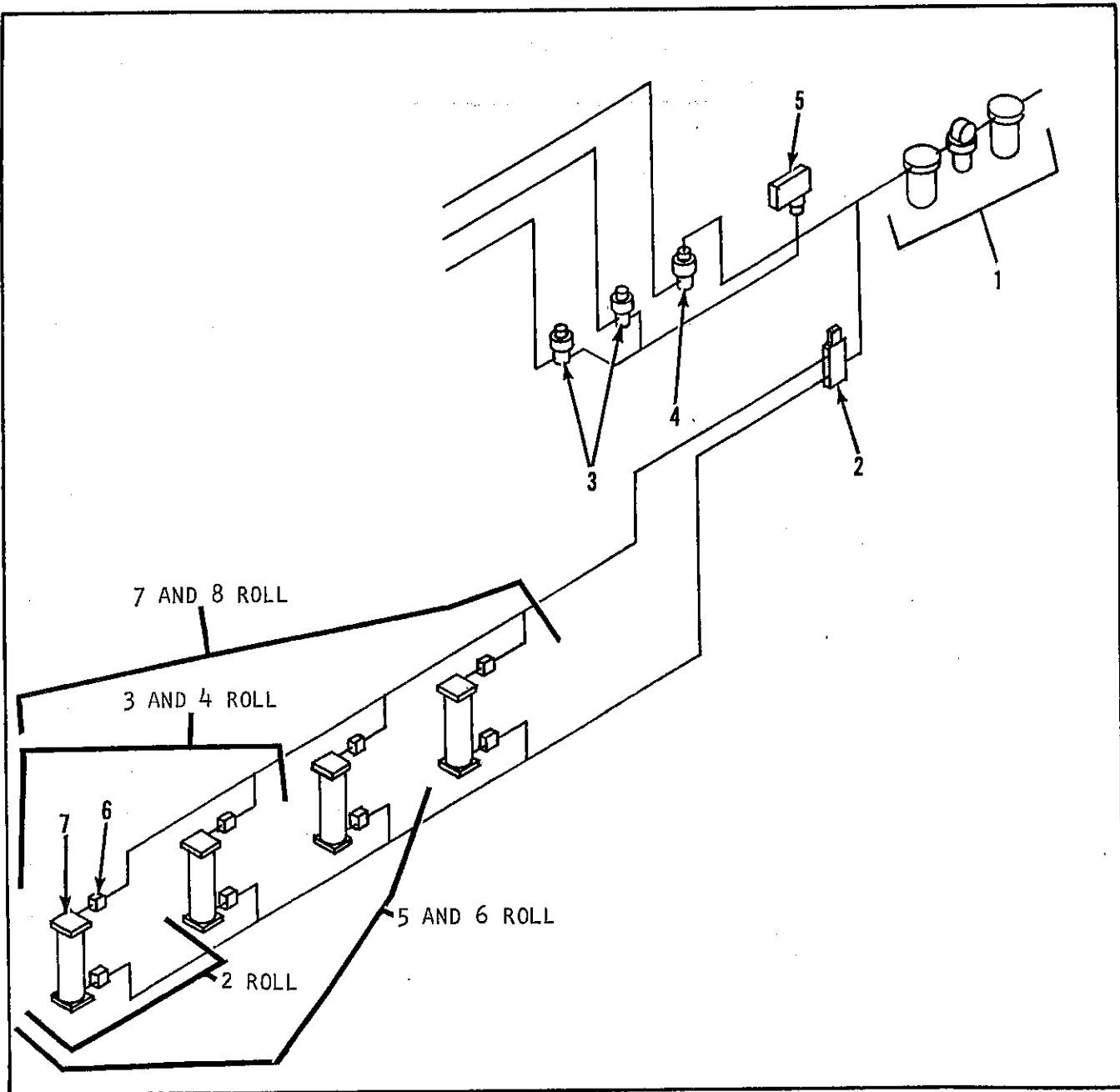


Figure 6-24. Air System Components

| ITEM NO. | PART NO. | DESCRIPTION | | | | | | | MFRS. CODE | UNITS PER ASSY |
|----------|---|---|---|---|---|---|---|---|------------|----------------|
| | | 1 | 2 | 3 | 4 | 5 | 6 | 7 | | |
| -1 | 160-A13 160-A14 160-A15 160-A16 C-43407 | AIR SYSTEM COMPONENTS, 2-roll through 8-roll FILTER,REGULATOR,LUBRICATOR | | | | | | | 43990 | |
| -2 | | VALVE,roll raise solenoid (H935DB2150) (For breakdown see figure 26.) | | | | | | | 81978 | ref |
| -3 | | VALVE,clutch and *oiler solenoid(A3DB2127) (For breakdown see figure 27.) | | | | | | | 81978 | ref |
| -4 | | VALVE,reed switch(A5DB2127) (For breakdown see figure 28.) | | | | | | | 81978 | ref |
| -5 | C-22574 | SWITCH,air pressure(P70AA-5) | | | | | | | 92578 | 1 |
| -6 | C-77203 | **VALVE,pneutrol(F-10-B) | | | | | | | 92029 | a/r |
| -7 | C-24385 | **CYLINDER,4 in.st 12in.bore (P60197-0120) | | | | | | | 61775 | a/r |

*The oiler solenoid valve is not required on the manual lubrication system of 2-roll units.

**Quantity dependent upon the number of rolls each unit has.

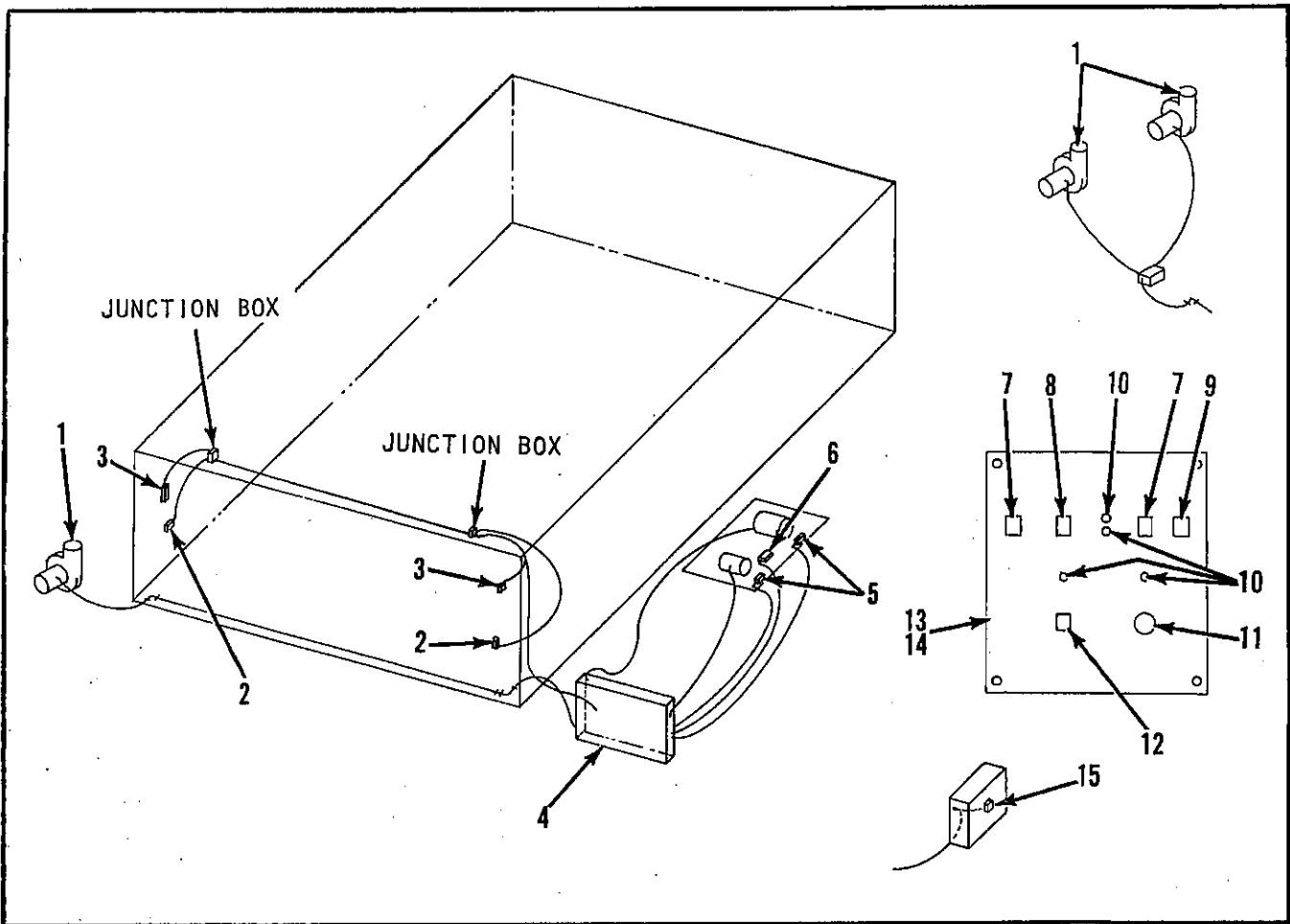


Figure 6-25. Machine Electrical Parts

PRODUCT CODE 152

| ITEM NO. | PART NO. | DESCRIPTION | | | | | | | MFRS. CODE | UNITS PER ASSY |
|----------|----------|---|---|---|---|---|---|---|------------|----------------|
| | | 1 | 2 | 3 | 4 | 5 | 6 | 7 | | |
| -- | | MACHINE ELECTRICAL PARTS, control panel-switches-all services | | | | | | | | ref |
| -1-1 | | MOTOR, pressure blower (PB-13) (Specify one of the following:) | | | | | | | 14317 | 1* |
| -1-1 | 141-1808 | MOTOR, pressure blower 7-1/2 hp, 15hp-20hp drive 200v-208v/3ph/60Hz (PB-13) | | | | | | | | |
| -1-2 | 141-1809 | MOTOR, pressure blower 7-1/2hp,15hp 20hp drive 220v-240v/440v-480v/3ph/60Hz (PB-13) | | | | | | | | |
| -1-3 | 141-1810 | MOTOR,pressure blower 7-1/2hp,15hp, 20hp drive 550v-600v/3ph/60Hz (PB-13) | | | | | | | | |
| -1-4 | 141-1859 | MOTOR,pressure blower 7-1/2hp,15hp drive 220v-380v/3ph/50Hz(PB-13) | | | | | | | | |
| -2 | C-69251 | SWITCH (8LS152) | | | | | | | 91929 | 2 |
| -3 | C-69489 | SWITCH, limit (10316-H-10) | | | | | | | | 2 |
| -4 | 160-A9 | ELECTRICAL CONTROL ASSY(For breakdown see figures 29 thru 32.) | | | | | | | | 1 |
| -5 | C-69277 | SWITCH (BZE6-2RN) | | | | | | | 91929 | 2 |
| -6 | C-79609 | SWITCH, proximity (4FRI-6) | | | | | | | | 1 |
| -7 | C-69448 | SWITCH, w/ snapin bracket (TILA-61-1C-WH) | | | | | | | | 2 |
| -8 | C-79625 | SWITCH, w/ snapin bracket (TIGM6M-1C-WH) | | | | | | | 73559 | 1 |
| -9 | C-79611 | SWITCH, w/ snapin bracket (TILC6M-10-WH) | | | | | | | 73559 | 1 |
| -10 | C-42350 | LIGHT, white 115v (1060) | | | | | | | 91802 | 4 |
| -11 | C-19847 | PUSHBUTTON (BJZ2J) | | | | | | | 23826 | 1 |
| -12 | C-68882 | SWITCH, 3 pos (TIGG5B-1C-WH) | | | | | | | 73559 | 1 |
| -13 | 1028836 | NAMEPLATE, 160 caution | | | | | | | | 1 |
| -14 | 1028927 | NAMEPLATE, control panel product code 135 | | | | | | | | |
| -15 | 1023803 | TIMER, cycle oiler 115v/60Hz(620-7800)(For breakdown see figure 23.) | | | | | | | 04221 | 1 |

*Quantity of item number one will be 2 on 8 roll machines.

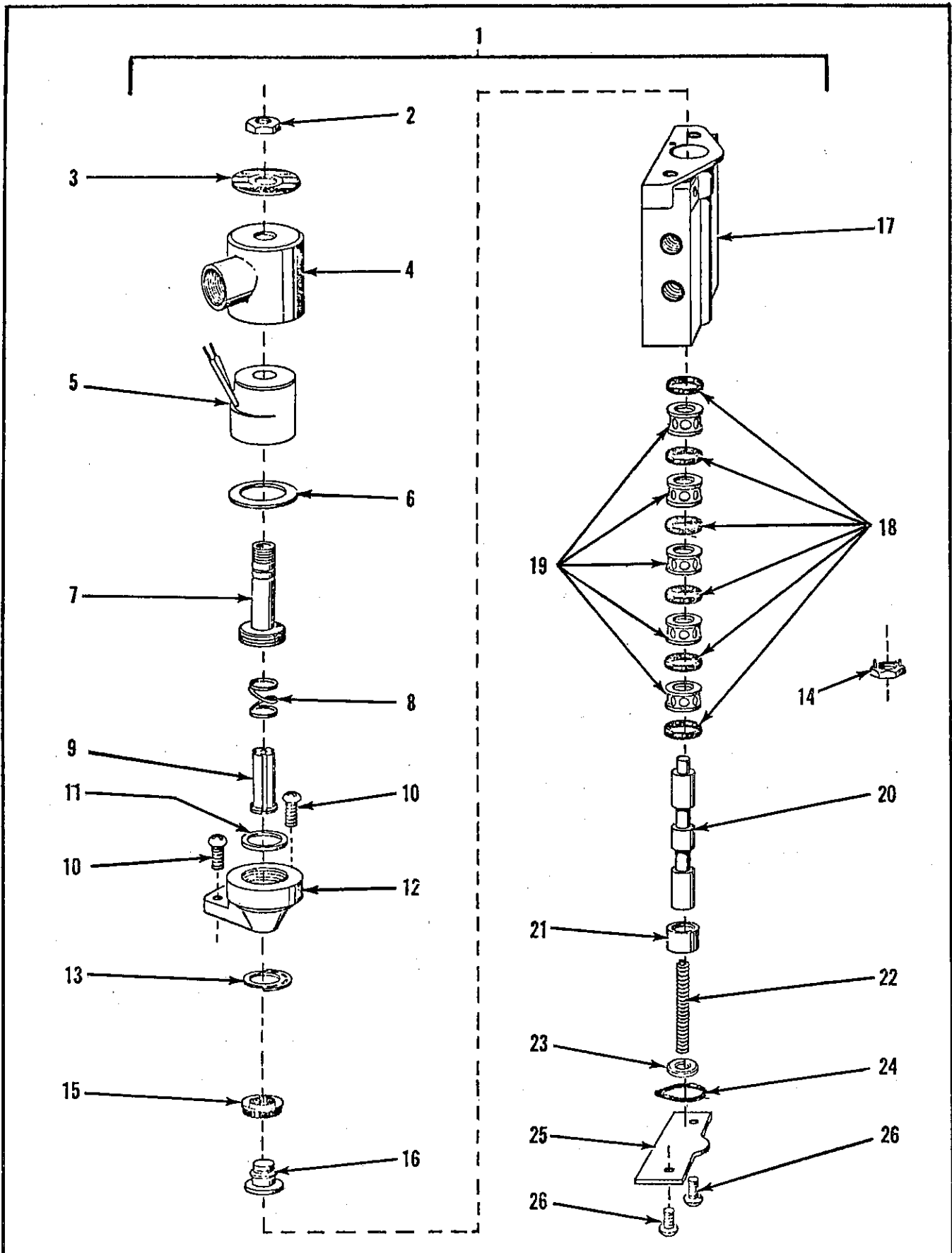


Figure 6-26. Roll Raise Solenoid Valve

| ITEM NO. | PART NO. | DESCRIPTION | | | | | | | MFRS. CODE | UNITS PER ASSY |
|----------|----------|-------------|---|---|---|---|---|---|------------|----------------|
| | | 1 | 2 | 3 | 4 | 5 | 6 | 7 | | |
| -1 | | | | | | | | VALVE, roll raise solenoid (H935DB2150) (Specify one of the following:) | 81978 | 1 |
| -1-1 | 1039007 | | | | | | | VALVE, roll raise solenoid 60Hz (H935DB2150) | 81978 | |
| -1-2 | C-77983 | | | | | | | VALVE, roll raise solenoid 50Hz (H935DB2150) | 81978 | |
| -2 | | | | | | | | NUT, housing (V5-114) | 81978 | 1 |
| -3 | | | | | | | | NAMEPLATE, conduit housing (V5-4) | 81978 | 1 |
| -4 | | | | | | | | CONDUIT HOUSING, 1/2 in. NPT (V5-1726M) | 81978 | 1 |
| -5 | | | | | | | | COIL, solenoid (Specify one of the following:) | 81978 | 1 |
| -5-1 | | | | | | | | COIL, solenoid 120v/60Hz (A-631) | 81978 | |
| -5-2 | | | | | | | | COIL, solenoid 240v/60Hz (A-634) | 81978 | |
| -5-3 | | | | | | | | COIL, solenoid 480v/60Hz (A-637) | 81978 | |
| -5-4 | | | | | | | | COIL, solenoid 115v/50Hz (A-6321) | 81978 | |
| -5-5 | | | | | | | | COIL, solenoid 240v/50Hz (A-6341) | 81978 | |
| -6 | C-80642 | | | | | | | WASHER, spring (V5-3036) | 81978 | 1 |
| -7 | C-65585 | | | | | | | SLEEVE ASSEMBLY (M3-121) | 81978 | 1 |
| -8 | C-68266 | | | | | | | PLUNGER SPRING (V5-3810) | 81978 | 1 |
| -9 | C-56361 | | | | | | | PLUNGER ASSEMBLY (V5-13-35) | 81978 | 1 |
| -10 | | | | | | | | SCREW, cover (H31-002) | 81978 | 2 |
| -11 | C-65377 | | | | | | | FLANGE SEAL (V5-113) | 81978 | 1 |
| -12 | | | | | | | | COVER (H16-003) | 81978 | 1 |
| -13 | | | | | | | | COVER GASKET (H14-002) | 81978 | 1 |
| -14 | 626-123 | | | | | | | *WRENCH, nut (V0-233) | 81978 | 1 |
| -15 | C-59875 | | | | | | | U-CUP (H14-001) | 81978 | 1 |
| -16 | C-55140 | | | | | | | PISTON DRIVE (H15-001) | 81978 | 1 |
| -17 | | | | | | | | BODY (H01-801) | 81978 | 1 |
| -18 | C-59876 | | | | | | | O-RING (H14-003) | 81978 | 6 |
| -19 | | | | | | | | SPACER CAGE (H26-001) | 81978 | 5 |
| -20 | C-65586 | | | | | | | SPOOL (H32-001) | 81978 | 1 |
| -21 | C-18863 | | | | | | | BUSHING RETAINER (H13-001) | 81978 | 1 |
| -22 | C-68368 | | | | | | | SPOOL SPRING (H04-001) | 81978 | 1 |
| -23 | C-23290 | | | | | | | SNUBBER (H99-004) | 81978 | 1 |
| -24 | C-59877 | | | | | | | O-RING (V1-2019) | 81978 | 1 |
| -25 | | | | | | | | COVER STOP (H18-001) | 81978 | 1 |
| -26 | | | | | | | | SCREW, stop (H31-001) | 81978 | 2 |

*NOTE

THE NUT WRENCH IS A SPECIAL TOOL AND CAN BE OBTAINED FOR A SLIGHT CHARGE FROM THE LOCAL ALM SERVICE REPRESENTATIVE OR SKINNER PRECISION INDUSTRIES REPRESENTATIVE.

WHEN ORDERING REPAIR PARTS, SPECIFY VALVE NUMBER AND VOLTAGE. OBTAIN THIS DATA FROM THE NAMEPLATE.

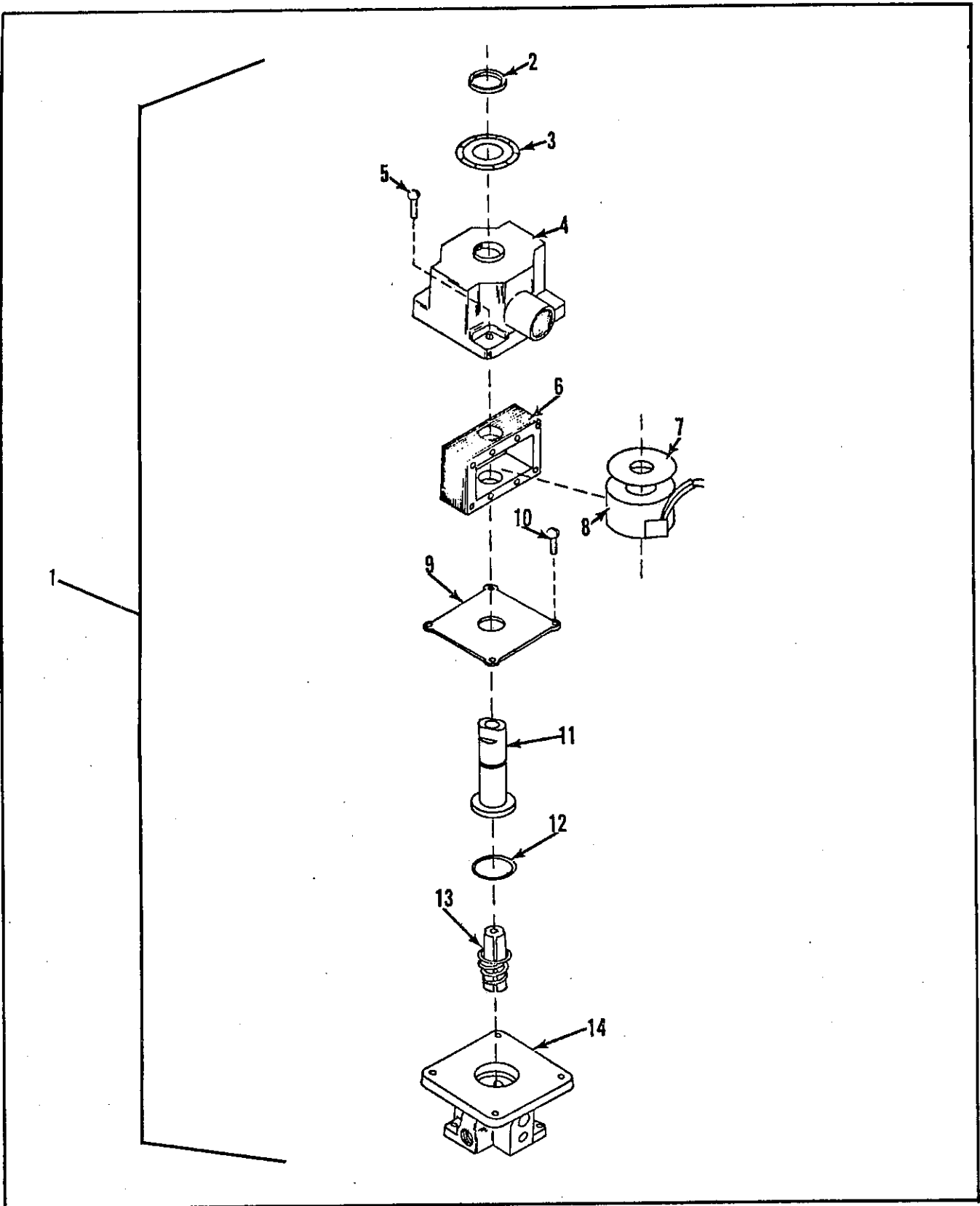


Figure 6-27. Clutch and Oiler Solenoid Valve

| ITEM NO. | PART NO. | DESCRIPTION | | | | | | | MFRS. CODE | UNITS PER ASSY |
|----------|----------|-------------|---|---|---|---|---|--|------------|----------------|
| | | 1 | 2 | 3 | 4 | 5 | 6 | 7 | | |
| -1 | | | | | | | | VALVE,clutch and oiler solenoid (A3DB2127) (Specify one of the following:) | 81978 | 1 |
| -1-1 | C-77846 | | | | | | | VALVE,clutch and oiler solenoid 60Hz (A3DB2127) | 81978 | |
| -1-2 | C-77844 | | | | | | | VALVE,clutch and oiler solenoid 50Hz (A3DB2127) | 81978 | |
| -2 | | | | | | | | RETAINER, nameplate (*99-009) | 81978 | 1 |
| -3 | | | | | | | | NAMEPLATE (A23-001) | 81978 | 1 |
| -4 | | | | | | | | HOUSING, 1/2 in. NPT conduit outlet (A07-002K) (ATTACHING PARTS) | 81978 | 1 |
| -5 | | | | | | | | SCREW (A99-004) | 81978 | 2 |
| | | | | | | | | -----*----- | | |
| -6 | C-78178 | | | | | | | YOKE ASSEMBLY (A20-003U) | 81978 | 1 |
| -7 | C-80628 | | | | | | | WASHER, coil (A99-006) | 81978 | 1 |
| -8 | | | | | | | | COIL,solenoid (Specify one of the following:) | 81978 | 1 |
| -8-1 | | | | | | | | COIL, solenoid 120v/60Hz (A-628) | 81978 | |
| -8-2 | | | | | | | | COIL, solenoid 240v/60Hz (A-631) | 81978 | |
| -8-3 | | | | | | | | COIL, solenoid 480v/60Hz (A-634) | 81978 | |
| -8-4 | | | | | | | | COIL, solenoid 115v/50Hz (A-6291) | 81978 | |
| -8-5 | | | | | | | | COIL, solenoid 240v/50Hz (A-6321) | 81978 | |
| -9 | | | | | | | | PLATE, housing (A18-001M) (ATTACHING PARTS) | 81978 | 1 |
| -10 | | | | | | | | SCREW, (A99-003) | 81978 | 2 |
| | | | | | | | | -----*----- | | |
| -11 | C-65564 | | | | | | | SLEEVE ASSEMBLY, 5/32 in. orifice (A05-009) | 81978 | 1 |
| -12 | | | | | | | | FLANGE, o-ring (V1-2215) | 81978 | 1 |
| -13 | C-56363 | | | | | | | PLUNGER AND SPRING ASSEMBLY Types A3, A36, 5/32in. orifice (A03-023) | 81978 | 1 |
| -14 | | | | | | | | BODY | 81978 | np |
| -15 | 626-123 | | | | | | | *WRENCH, nut (V0-233) (not shown) | 81978 | 1 |

*NOTE

THE NUT WRENCH IS A SPECIAL TOOL AND CAN BE OBTAINED FOR A SLIGHT CHARGE FROM THE LOCAL ALM SERVICE REPRESENTATIVE OR SKINNER PRECISION INDUSTRIES REPRESENTATIVE.

WHEN ORDERING REPAIR PARTS, SPECIFY VALVE NUMBER AND VOLTAGE. OBTAIN THIS DATA FROM THE NAMEPLATE.

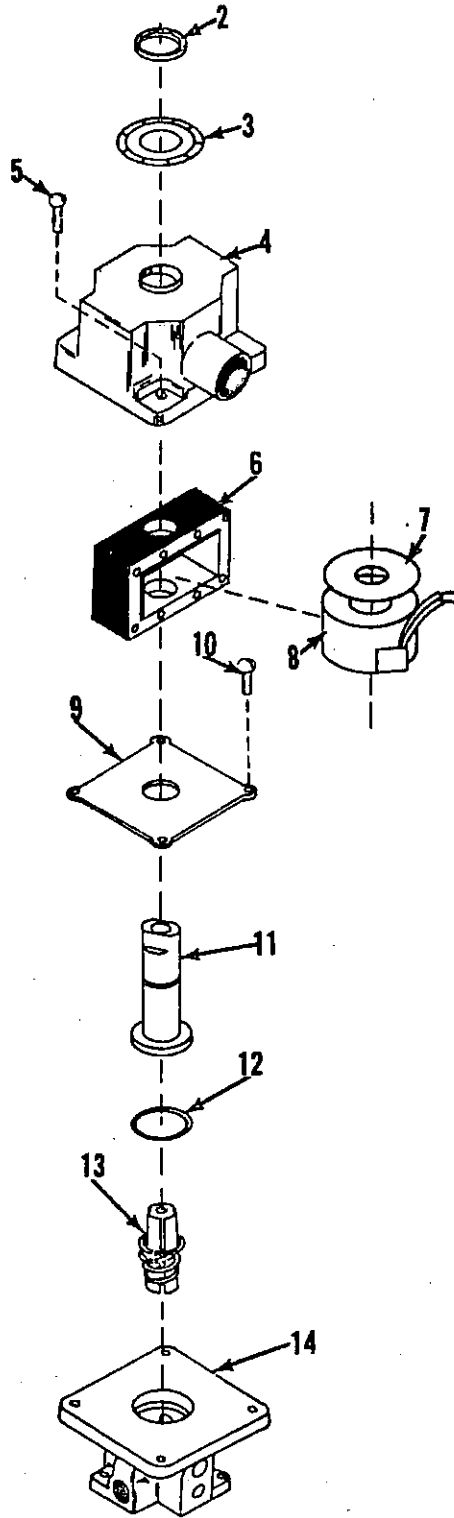


Figure 6-28. Reed Switch Solenoid Valve

| ITEM NO. | PART NO. | DESCRIPTION | | | | | | | MFRS. CODE | UNITS PER ASSY |
|---|----------|-------------|---|---|---|---|---|--|------------|----------------|
| | | 1 | 2 | 3 | 4 | 5 | 6 | 7 | | |
| -1 | | | | | | | | VALVE, solenoid reed switch (Specify one of the following:) | 81978 | 1 |
| -1-1 | C-78016 | | | | | | | VALVE, solenoid reed switch 60Hz (A5DB2127) | 81978 | |
| -1-2 | 1019413 | | | | | | | VALVE, solenoid reed switch 50Hz (A5DB2127) | 81978 | |
| -2 | | | | | | | | RETAINER, nameplate (A99-009) | 81978 | |
| -3 | | | | | | | | NAMEPLATE (A23-001) | 81978 | 1 |
| -4 | | | | | | | | HOUSING, 1/2 in. NPT conduit outlet (A07-002K) (ATTACHING PARTS) | 81978 | 1 |
| -5 | | | | | | | | SCREW (A99-004) - - - * - - - | 81978 | 2 |
| -6 | C-78178 | | | | | | | YOKE ASSEMBLY (A20-003B) | 81978 | 1 |
| -7 | C-80628 | | | | | | | WASHER, coil (A99-006) | 81978 | 1 |
| -8 | | | | | | | | COIL, solenoid (Specify one of the following:) | 81978 | 1 |
| -8-1 | | | | | | | | COIL, solenoid 120v/60Hz (A-628) | 81978 | |
| -8-2 | | | | | | | | COIL, solenoid 240v/60Hz (A-631) | 81978 | |
| -8-3 | | | | | | | | COIL, solenoid 480v/60Hz (A-634) | 81978 | |
| -8-4 | | | | | | | | COIL, solenoid 115v/50Hz (A-6291) | 81978 | |
| -8-5 | | | | | | | | COIL, solenoid 240v/50Hz (A-6321) | 81978 | |
| -9 | | | | | | | | PLATE, housing (A18-001M) (ATTACHING PARTS) | 81978 | 1 |
| -10 | | | | | | | | SCREW (A99-003) - - - * - - - | 81978 | 2 |
| -11 | C-65564 | | | | | | | SLEEVE ASSEMBLY 5/32 in. orifice (A05-009) | 81978 | 1 |
| -12 | | | | | | | | FLANGE, o-ring (V1-2215) | 81978 | 1 |
| -13 | C-56363 | | | | | | | PLUNGER AND SPRING ASSEMBLY (A03-027) | 81978 | 1 |
| -14 | | | | | | | | BODY (seldom required as replacement part) | 81978 | 1 |
| -15 | 626-123 | | | | | | | *WRENCH, nut (V0-233) (not shown) *NOTE | 81978 | 1 |
| <p>THE NUT WRENCH IS A SPECIAL TOOL AND CAN BE OBTAINED FOR A SLIGHT CHARGE FROM THE LOCAL ALM SERVICE REPRESENTATIVE OR SKINNER PRECISION INDUSTRIES REPRESENTATIVE.</p> <p>WHEN ORDERING REPAIR PARTS, SPECIFY VALVE NUMBER AND VOLTAGE. OBTAIN THIS DATA FROM THE NAMEPLATE.</p> | | | | | | | | | | |

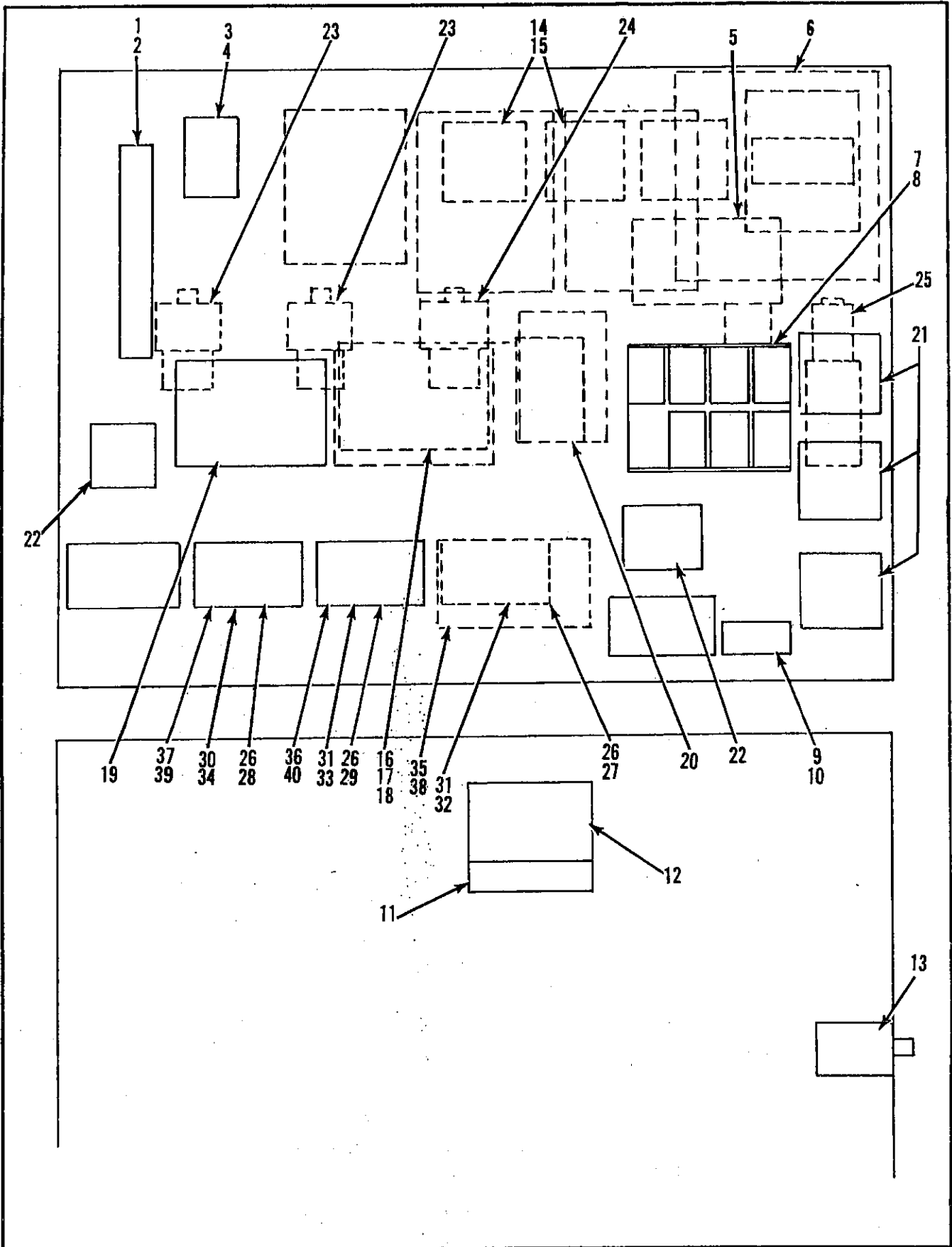


Figure 6-29. Electrical Control (120V-208V/3Ph/60Hz 7-1/2 Hp, 15 Hp, 20 Hp)

| ITEM NO. | PART NO. | DESCRIPTION | | | | | | | MFRS. CODE | UNITS PER ASSY |
|--|----------|--|---|---|---|---|---|---|------------|----------------|
| | | 1 | 2 | 3 | 4 | 5 | 6 | 7 | | |
| -- | 160-R502 | ELECTRICAL CONTROL 120v-208v/3ph/60Hz 7-1/2hp, 15hp, 20hp | | | | | | | | ref |
| -1 | C-70901 | TERMINAL BOARD (22000) | | | | | | | 76117 | 23 |
| -2 | C-70902 | END PIECE (24000) | | | | | | | 76117 | 1 |
| -3 | C-17244 | FUSEBLOCK, 30 amp 2 pole 250v (F30A2) | | | | | | | 76117 | 1 |
| -4 | C-31673 | FUSETRON, 3.2 amp | | | | | | | 71400 | 2 |
| -5 | C-22574 | SWITCH, air pressure (P70AA-5) | | | | | | | 92578 | 1 |
| -6 | 1028836 | NAMEPLATE, 160 caution | | | | | | | | 1 |
| -7 | 160-186 | BRACKET, relay | | | | | | | | 1 |
| -8 | C-58491 | RELAY, 120v CRO, 1,2,4,30,31,37 (AB11AY) | | | | | | | 77342 | 7 |
| -9 | C-17251 | TERMINAL BLOCK (222) | | | | | | | 89020 | 3 |
| -10 | C-17249 | TERMINAL BLOCK END (230) | | | | | | | 89020 | 1 |
| -11 | 10-100 | NAMEPLATE, ALM | | | | | | | | 1 |
| -12 | 10-101 | NAMEPLATE, electrical | | | | | | | | 1 |
| -13 | C-42717 | CATCH (4859) | | | | | | | 19220 | 1 |
| -14 | C-17245 | FUSEBLOCK, 30 amp 3 pole 250v | | | | | | | 76117 | 2 |
| -15 | C-31612 | FUSETRON, 15 amp 250v | | | | | | | 71400 | 3 |
| -16 | | CONTACTOR, reversing (Specify one of the following:) | | | | | | | | 1 |
| -16-1 | C-57896 | CONTACTOR, reversing 7-1/2hp, 15hp 115v/50-60Hz (44CD3AAF) | | | | | | | 23826 | |
| -16-2 | 1019405 | CONTACTOR, reversing 20hp 40amp 120v/50-60Hz (2200R-EBR430AA) | | | | | | | 52090 | |
| -17 | C-25007 | CONTACT, nc | | | | | | | 23826 | 1 |
| -18 | C-25008 | CONTACT, no | | | | | | | 23826 | 1 |
| -19 | 1004365 | CONTACTOR, reversing 30amp 115v (44BE30AF) | | | | | | | 23826 | 1 |
| -20 | | CONTACTOR, 120v/50-60Hz (Specify one of the following:) | | | | | | | 23826 | 1 |
| -20-1 | C-57899 | CONTACTOR, 120v/50-60Hz 7-1/2hp (42CF35AF) | | | | | | | 23826 | 1 |
| -20-2 | 1019397 | CONTACTOR, 120v/50-60Hz 15hp-20HP (42EE35AF) | | | | | | | 23826 | |
| -21 | C-58400 | TIMER, 14.25 sec 115v/60Hz (DA11-001) | | | | | | | 27780 | 3 |
| -22 | T126-8 | CONTACTOR, 115v/50-60Hz (41NB30AF) | | | | | | | 23826 | 2 |
| -23 | C-77846 | VALVE, 120v/60Hz clutch and oiler solenoid (A3DB2127) (For breakdown see figure 27.) | | | | | | | 81978 | 2 |
| -24 | C-78016 | VALVE, 120v/60Hz reed switch solenoid (A5DB2127) (For breakdown see figure 28.) | | | | | | | 81978 | 1 |
| -25 | 1039007 | VALVE, roll raise solenoid (H935DB2150) (For breakdown see figure 26.) | | | | | | | 81978 | 1 |
| NOTE | | | | | | | | | | |
| OVERLOAD RELAYS AND HEATER COILS WILL CHANGE IN RELATION TO HORSEPOWER REQUIREMENTS OF UNIT. | | | | | | | | | | |

| ITEM NO. | PART NO. | DESCRIPTION | | | | | | | MFRS. CODE | UNITS PER ASSY |
|----------|----------|--|---|---|---|---|---|--|------------|----------------|
| | | 1 | 2 | 3 | 4 | 5 | 6 | 7 | | |
| | | NOTE | | | | | | | | |
| | | OVERLOAD RELAYS AND HEATER COILS WILL CHANGE IN RELATION TO HORSEPOWER REQUIREMENTS OF UNIT. | | | | | | | | |
| | | NOTE | | | | | | | | |
| | | ITEMS 26 THROUGH 29 ARE REQUIRED FOR 7-1/2 HP UNITS. | | | | | | | | |
| -26 | C-57656 | | | | | | | RELAY, size 1 overload (815B0V16) | 01121 | 1 |
| -27 | C-21082 | | | | | | | COIL, heater hi-drive (N-31) | 01121 | 3 |
| -28 | C-21369 | | | | | | | COIL, heater speed changer (N-2) | 01121 | 3 |
| -29 | C-21079 | | | | | | | COIL, heater lo-drive (N-28) | 01121 | 3 |
| | | NOTE | | | | | | | | |
| | | ITEMS 30 THROUGH 33 ARE REQUIRED FOR 15 HP UNITS. | | | | | | | | |
| -30 | C-57656 | | | | | | | RELAY, size 1 overload (815B0V16) | 01121 | 1 |
| -31 | C-21087 | | | | | | | COIL, heater hi-drive (N-38) | 01121 | 3 |
| -32 | C-21369 | | | | | | | COIL, heater speed changer (N-2) | 01121 | 3 |
| -33 | C-22035 | | | | | | | COIL, heater lo-drive (N-36) | 01121 | 3 |
| | | NOTE | | | | | | | | |
| | | ITEMS 34 THROUGH 37 ARE REQUIRED FOR 20 HP UNITS. | | | | | | | | |
| -34 | C-57656 | | | | | | | RELAY, size 1 overload (815B0V16) | 01121 | 1 |
| -35 | C-21089 | | | | | | | COIL, heater hi-drive (N-41) | 01121 | 3 |
| -36 | C-21369 | | | | | | | COIL, heater speed changer (N-2) | 01121 | 3 |
| -37 | C-21086 | | | | | | | COIL, heater lo-drive (N-37) | 01121 | 3 |
| -38 | C-73123 | | | | | | | TRANSFORMER, type SXO 300VA 230-460v pri 120v sec. 50-60Hz | 28455 | 1 |

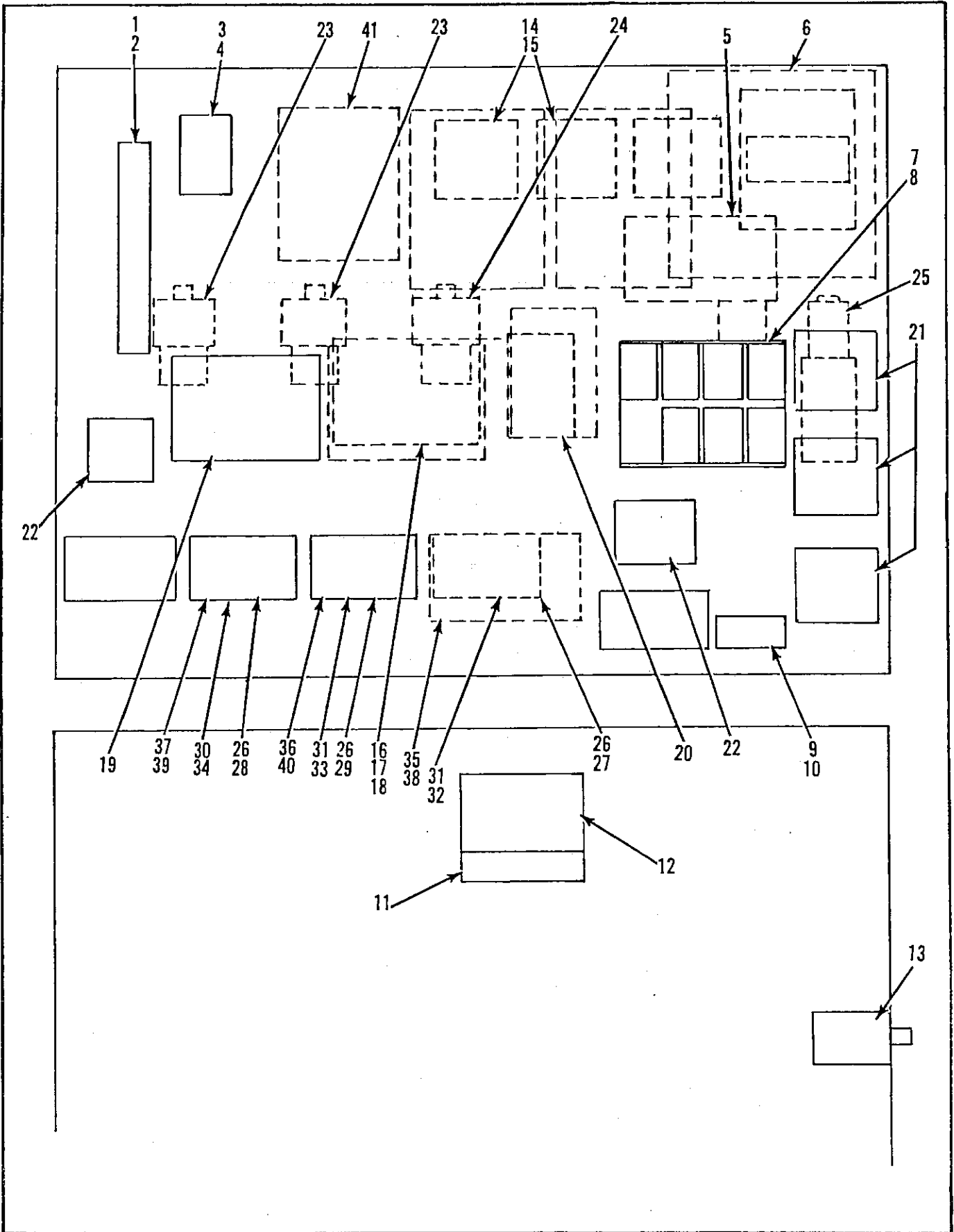


Figure 6-30. Electrical Control (220V-240V/3Ph/60Hz 7-1/2 Hp, 15 Hp, 20 Hp)

| ITEM NO. | PART NO. | DESCRIPTION | | | | | | | MFRS. CODE | UNITS PER ASSY |
|----------|----------|--|---|---|---|---|---|---|------------|----------------|
| | | 1 | 2 | 3 | 4 | 5 | 6 | 7 | | |
| | 160-R502 | ELECTRICAL CONTROL, 220v-240v/3ph/60Hz 7-1/2hp, 15hp, 20hp | | | | | | | | ref |
| -1 | C-70901 | TERMINAL BOARD (22000) | | | | | | | 76117 | 23 |
| -2 | C-70902 | END PIECE (24000) | | | | | | | 76117 | 1 |
| -3 | C-17244 | FUSEBLOCK, 30amp 2 pole 250v (F30A2) | | | | | | | 76117 | 1 |
| -4 | C-31673 | FUSETRON, 3.2 amp | | | | | | | 71400 | 2 |
| -5 | C-22574 | SWITCH, air pressure (P70AA-5) | | | | | | | 92578 | 1 |
| -6 | 1028836 | NAMEPLATE, 160 caution | | | | | | | | 1 |
| -7 | 160-186 | BRACKET, relay | | | | | | | | 1 |
| -8 | C-58491 | RELAY, 120v CRO,1,2,4,30,31,37 (AB11AY) | | | | | | | 77342 | 7 |
| -9 | C-17251 | TERMINAL BLOCK (222) | | | | | | | 89020 | 3 |
| -10 | C-17249 | TERMINAL BLOCK END (230) | | | | | | | 89020 | 1 |
| -11 | 10-100 | NAMEPLATE, ALM | | | | | | | | 1 |
| -12 | 10-101 | NAMEPLATE, electrical | | | | | | | | 1 |
| -13 | C-42717 | CATCH (4859) | | | | | | | 19220 | 1 |
| -14 | C-17245 | FUSEBLOCK, 30amp 3 pole 250v | | | | | | | 76117 | 1 |
| -15 | C-31612 | FUSETRON, 15 amp 250v | | | | | | | 71400 | 3 |
| -16 | | CONTACTOR, reversing (Specify one of the following:) | | | | | | | | 1 |
| -16-1 | C-57896 | CONTACTOR, reversing 7-1/2hp, 15hp, 115v/50-60Hz (44CD3AAF) | | | | | | | 23826 | |
| -16-2 | 1019405 | CONTACTOR, reversing 20hp 40amp 120v/50-60Hz (2200R-EBR430AA) | | | | | | | 52090 | |
| -17 | | CONTACT, nc (Specify one of the the following:) | | | | | | | | 1 |
| -17-1 | C-25007 | CONTACT, nc 7-1/2hp, 15hp | | | | | | | 23826 | |
| -17-2 | C-25010 | CONTACT, nc 20hp (2200-EB2) | | | | | | | 52090 | |
| -18 | | CONTACT, no (Specify one of the following:) | | | | | | | | |
| -18-1 | C-25008 | CONTACT, no 7-1/2hp, 15hp | | | | | | | 23826 | |
| -18-2 | C-25011 | CONTACT, no 20hp (2200-EB1) | | | | | | | 52090 | |
| -19 | 1004365 | CONTACTOR, reversing 30amp 115v (44BE30AF) | | | | | | | 23826 | 1 |
| -20 | | CONTACTOR, 120v/50-60Hz (Specify one of the following:) | | | | | | | 23826 | 1 |
| -20-1 | C-57899 | CONTACTOR, 120v/50-60Hz 7-1/2hp (42CF35AF) | | | | | | | 23826 | 1 |
| -20-2 | 1019397 | CONTACTOR, 120v/50-60Hz 15hp, 20hp (42EE35AF) | | | | | | | 23826 | |
| -21 | C-58400 | TIMER, 14.25 sec 115v/60Hz (DA11-001) | | | | | | | 27780 | 3 |
| -22 | T126-8 | CONTACTOR, 115v/50-60Hz (41NB30AF) | | | | | | | 23826 | 2 |
| -23 | C-77846 | VALVE, 120v/60Hz clutch and oiler solenoid (A3DB2127) (For breakdown see figure 27.) | | | | | | | 81978 | 2 |
| -24 | C-78016 | VALVE, 120v/60Hz reed switch solenoid (A5DB2127) (For breakdown see figure 28.) | | | | | | | 81978 | 1 |

| ITEM NO. | PART NO. | DESCRIPTION | | | | | | | MFRS. CODE | UNITS PER ASSY |
|--|----------|--|---|---|---|---|---|---|------------|----------------|
| | | 1 | 2 | 3 | 4 | 5 | 6 | 7 | | |
| -25 | 1039007 | VALVE, roll raise solenoid (H935DB2150) (For breakdown see figure 26.) | | | | | | | 81978 | 1 |
| NOTE | | | | | | | | | | |
| ITEMS 26 THROUGH 29 ARE REQUIRED FOR 7-1/2 HP UNITS. | | | | | | | | | | |
| -26 | C-57656 | RELAY, size 1 overload(815BOV16) | | | | | | | 01121 | 3 |
| -27 | C-21088 | COIL, heater hi-drive (N-39) | | | | | | | 01121 | 3 |
| -28 | C-21289 | COIL, heater speed changer (N-9) | | | | | | | 01121 | 3 |
| -29 | C-22035 | COIL, heater lo-drive (N-36) | | | | | | | 01121 | 3 |
| NOTE | | | | | | | | | | |
| ITEMS 30 THROUGH 34 ARE REQUIRED FOR 15 HP UNITS. | | | | | | | | | | |
| -30 | C-57656 | RELAY, size 1 overload(815BOV16) | | | | | | | 01121 | 1 |
| -31 | C-57657 | RELAY, size 2 overload(815COV16) | | | | | | | 01121 | 2 |
| -32 | C-21355 | COIL, heater hi-drive (N-46) | | | | | | | 01121 | 3 |
| -33 | C-21289 | COIL, heater speed changer (N-9) | | | | | | | 01121 | 3 |
| -34 | C-21091 | COIL, heater lo-drive (N-44) | | | | | | | 01121 | 3 |
| NOTE | | | | | | | | | | |
| ITEMS 35 THROUGH 40 ARE REQUIRED FOR 20 HP UNITS. | | | | | | | | | | |
| -35 | C-57656 | RELAY, size 1 overload(815BOV16) | | | | | | | 01121 | 1 |
| -36 | C-57657 | RELAY, size 2 overload(815COV16) | | | | | | | 01121 | 1 |
| -37 | C-57658 | RELAY, size 3 overload(815DOV16) | | | | | | | 01121 | 1 |
| -38 | C-26932 | COIL, heater hi-drive (N-70) | | | | | | | 01121 | 3 |
| -39 | C-21289 | COIL, heater speed changer (N-9) | | | | | | | 01121 | 3 |
| -40 | C-21092 | COIL, heater lo-drive (N-45) | | | | | | | 01121 | 3 |

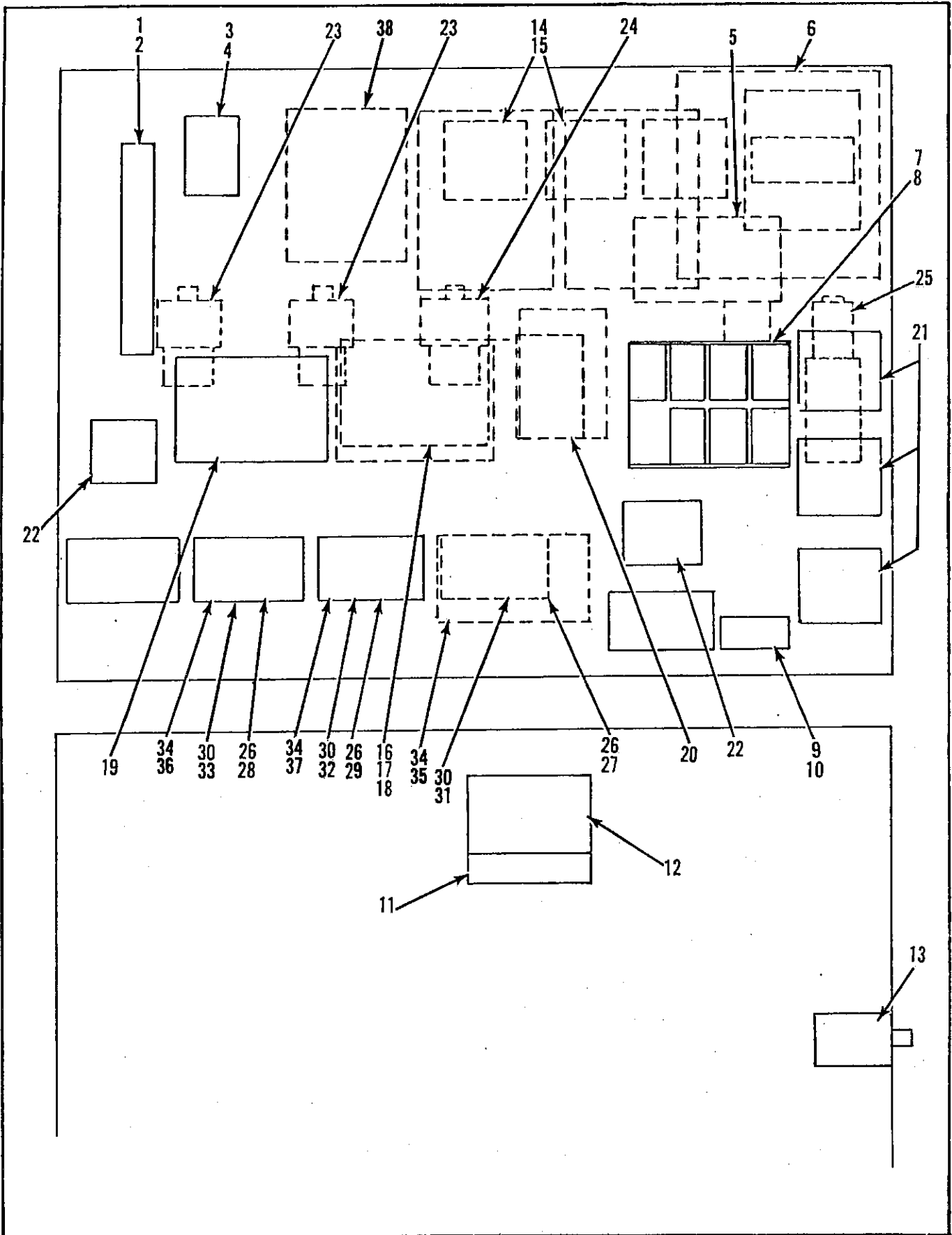


Figure 6-31. Electrical Control (440V-480V/3Ph/60Hz 7-1/2 Hp, 15 Hp, 20 Hp)

PRODUCT CODE 152

| ITEM NO. | PART NO. | DESCRIPTION | | | | | | | MFRS. CODE | UNITS PER ASSY |
|----------|----------|---|---|---|---|---|---|---|------------|----------------|
| | | 1 | 2 | 3 | 4 | 5 | 6 | 7 | | |
| -- | 160-R502 | ELECTRICAL CONTROL, 440v-480v/3ph/60Hz 7-1/2hp, 15hp, 20hp | | | | | | | | ref |
| -1 | C-70901 | TERMINAL BOARD (22000) | | | | | | | 76117 | 23 |
| -2 | C-70902 | END PIECE (24000) | | | | | | | 76117 | 1 |
| -3 | C-17244 | FUSEBLOCK, 30 amp 2 pole 250v (F30A2) | | | | | | | 76117 | 1 |
| -4 | C-31673 | FUSETRON, 3.2 amp | | | | | | | 71400 | 2 |
| -5 | C-22574 | SWITCH, air pressure (P70AA-5) | | | | | | | 92578 | 1 |
| -6 | 1028836 | NAMEPLATE, 160 caution | | | | | | | | 1 |
| -7 | 160-186 | BRACKET, relay | | | | | | | | 1 |
| -8 | C-58491 | RELAY, 120v CRO,1,2,4,30,31,37 (AB11AY) | | | | | | | 77342 | 7 |
| -9 | C-17251 | TERMINAL BLOCK (222) | | | | | | | 89020 | 3 |
| -10 | C-17249 | TERMINAL BLOCK END (230) | | | | | | | 89020 | 1 |
| -11 | 10-100 | NAMEPLATE, ALM | | | | | | | | 1 |
| -12 | 10-101 | NAMEPLATE, electrical | | | | | | | | 1 |
| -13 | C-42717 | CATCH (4859) | | | | | | | 19220 | 1 |
| -14 | C-17341 | FUSEBLOCK, 30amp 3 pole 600v (6F30A3) | | | | | | | 76117 | 2 |
| -15 | C-31612 | FUSETRON, 10 amp 250v (FRS10) | | | | | | | 71400 | 3 |
| -16 | | CONTACTOR, reversing (Specify one of the following:) | | | | | | | | 1 |
| -16-1 | C-57896 | CONTACTOR, reversing 7-1/2hp, 15hp, 115v/50-60Hz (44CD3AAF) | | | | | | | 23826 | |
| -16-2 | 1019405 | CONTACTOR, reversing 20hp 40amp 120v/50-60Hz (2200R-EBR430AA) 115v/50-60Hz (44CD3AAF) | | | | | | | 52090 | |
| -17 | | CONTACT, nc (Specify one of the following:) | | | | | | | | 1 |
| -17-1 | C-25007 | CONTACT, nc 7-1/2hp, 15hp | | | | | | | 23826 | |
| -17-2 | C-25010 | CONTACT, nc 20hp | | | | | | | 52090 | |
| -18 | | CONTACT, no (Specify one of the following:) | | | | | | | | 1 |
| -18-1 | C-25008 | CONTACT, no 7-1/2hp, 15hp | | | | | | | 23826 | |
| -18-2 | C-25011 | CONTACT, no 20hp | | | | | | | 52090 | |
| -19 | 1004365 | CONTACTOR, reversing 30amp 115v (44BE30AF) | | | | | | | 23826 | 1 |
| -20 | C-57899 | CONTACTOR, 120v/50-60Hz 7-1/2hp (42CF35AF) | | | | | | | 23826 | 1 |
| -21 | C-58400 | TIMER, 14.25 sec 115v/60Hz (DA11-001) | | | | | | | 27780 | 3 |
| -22 | T126-8 | CONTACTOR, 115v/50-60Hz (41NB30AF) | | | | | | | 23826 | 2 |
| -23 | C-77846 | VALVE, 120v/60Hz clutch and oiler solenoid (A3DB2127) (For breakdown see figure 27.) | | | | | | | 81978 | 2 |
| -24 | C-78016 | VALVE, 120v/60Hz reed switch solenoid (A5DB2127) (For breakdown see figure 28.) | | | | | | | 81978 | 1 |

| ITEM NO. | PART NO. | DESCRIPTION | | | | | | | MFRS. CODE | UNITS PER ASSY |
|----------|----------|--|---|---|---|---|---|---|------------|----------------|
| | | 1 | 2 | 3 | 4 | 5 | 6 | 7 | | |
| -25 | 1039007 | VALVE, roll raise solenoid (H935DB2150) (For breakdown see figure 26.) | | | | | | | 81978 | 1 |
| | | NOTE | | | | | | | | |
| | | OVERLOAD RELAYS AND HEATER COILS WILL CHANGE IN RELATION TO HORSEPOWER REQUIREMENTS OF UNIT. | | | | | | | | |
| | | NOTE | | | | | | | | |
| | | ITEMS 26 THROUGH 29 ARE REQUIRED FOR 7-1/2 HP UNIT. | | | | | | | | |
| -26 | C-57656 | RELAY, size 1 overload (815B0V16) | | | | | | | 01121 | 1 |
| -27 | C-21087 | COIL, heater hi-drive (N-38) | | | | | | | 01121 | 3 |
| -28 | C-21268 | COIL, heater speed changer (N-7) | | | | | | | 01121 | 3 |
| -29 | C-22085 | COIL, heater lo-drive (N-35) | | | | | | | 01121 | 3 |
| | | NOTE | | | | | | | | |
| | | ITEMS 30 THROUGH 34 ARE REQUIRED FOR 15 HP UNITS. | | | | | | | | |
| -30 | C-57656 | RELAY, size 1 overload (815B0V16) | | | | | | | 01121 | 1 |
| -31 | C-57657 | RELAY, size 2 overload (815C0V16) | | | | | | | 01121 | 2 |
| -32 | C-21091 | COIL, heater hi-drive (N-44) | | | | | | | 01121 | 3 |
| -33 | C-21068 | COIL, heater speed changer (N-7) | | | | | | | 01121 | 3 |
| -34 | C-21090 | COIL, heater lo-drive (N-43) | | | | | | | 01121 | 3 |
| | | NOTE | | | | | | | | |
| | | ITEMS 35 THROUGH 40 ARE REQUIRED FOR 20 HP UNITS. | | | | | | | | |
| -35 | C-57656 | RELAY, size 1 overload (815B0V16) | | | | | | | 01121 | 1 |
| -36 | C-576 7 | RELAY, size 2 overload (815C0V16) | | | | | | | 01121 | 1 |
| -37 | C-57658 | RELAY, size 3 overload (815D0V16) | | | | | | | 01121 | 3 |
| -38 | C-21355 | COIL, heater hi-drive (N-46) | | | | | | | 01121 | 3 |
| -39 | C-21068 | COIL, heater speed changer (N-7) | | | | | | | 01121 | 3 |
| -40 | C-21091 | COIL, heater lo-drive (N-44) | | | | | | | 01121 | 3 |
| -41 | C-73123 | TRANSFORMER, type SX0 300VA 230v-460v/ pri 120v sec 50-60Hz | | | | | | | 28455 | 1 |

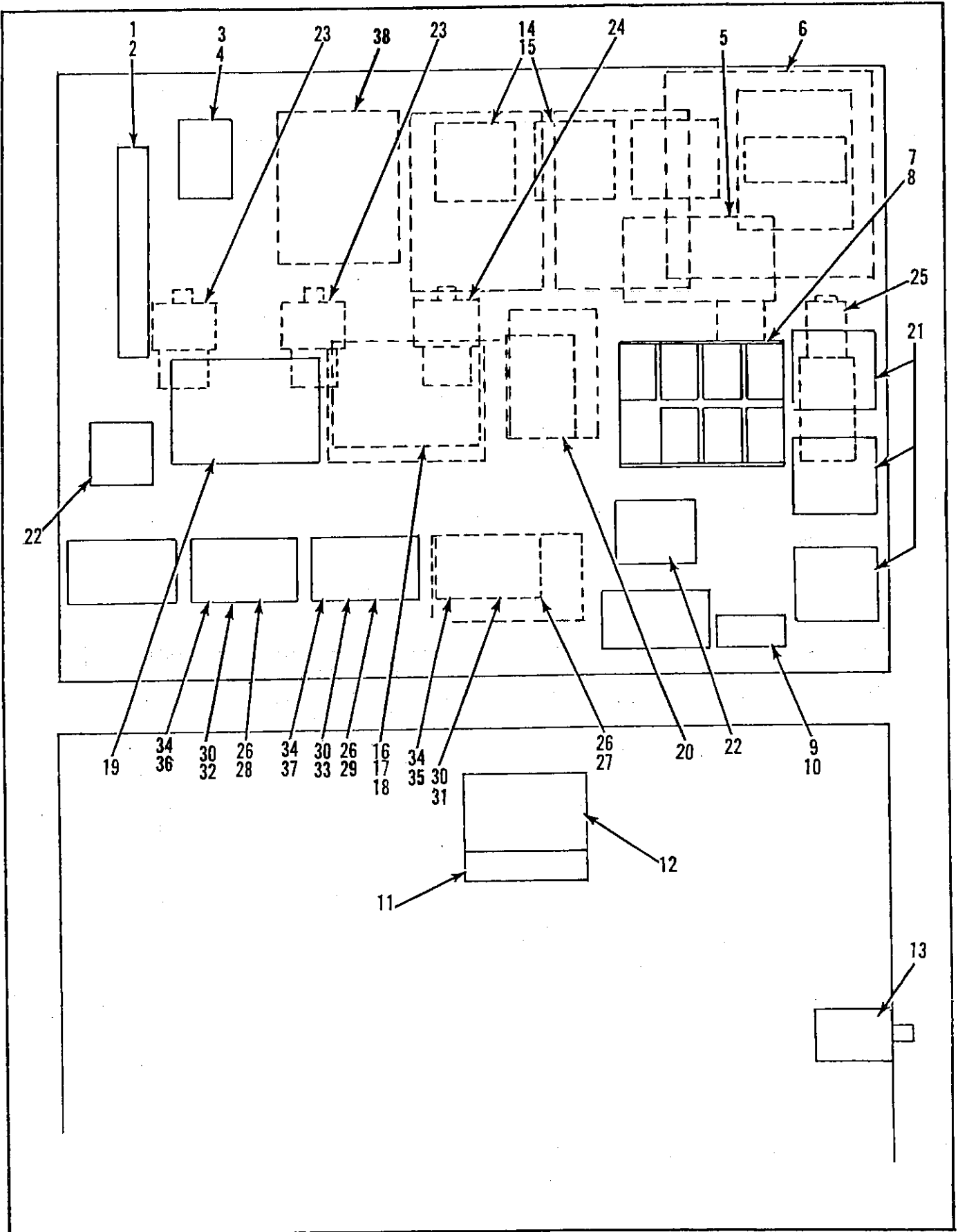


Figure 6-32. Electrical Control (550V-600V/3Ph/60Hz 7-1/2 Hp, 15 Hp, 20 Hp)

PRODUCT CODE 152

| ITEM NO. | PART NO. | DESCRIPTION | | | | | | | MFRS. CODE | UNITS PER ASSY |
|----------|----------|---|---|---|---|---|---|---|------------|----------------|
| | | 1 | 2 | 3 | 4 | 5 | 6 | 7 | | |
| -- | 160-R502 | ELECTRICAL CONTROL, 550v-600v/3ph/60Hz 7-1/2hp, 15hp, 20hp | | | | | | | | ref |
| -1 | C-70901 | TERMINAL BOARD (22000) | | | | | | | 76117 | 23 |
| -2 | C-70902 | END PIECE (24000) | | | | | | | 76117 | 1 |
| -3 | C-17244 | FUSEBLOCK, 30amp, 2 pole 250v (F30A2) | | | | | | | 76117 | 1 |
| -4 | C-31673 | FUSETRON, 3.2 amp | | | | | | | 71400 | 2 |
| -5 | C-22574 | SWITCH, air pressure (P70AA-5) | | | | | | | 92578 | 1 |
| -6 | 1028836 | NAMEPLATE, 160 caution | | | | | | | | 1 |
| -7 | | BRACKET, relay | | | | | | | | 1 |
| -8 | C-58491 | RELAY, 120v CRO,1,2,4,30,31,37 (AB11AY) | | | | | | | 77342 | 7 |
| -9 | C-17251 | TERMINAL BLOCK (222) | | | | | | | 89020 | 3 |
| -10 | C-17249 | TERMINAL BLOCK END (230) | | | | | | | 89020 | 1 |
| -11 | 10-100 | NAMEPLATE, ALM. | | | | | | | | 1 |
| -12 | 10-101 | NAMEPLATE, electrical | | | | | | | | 1 |
| -13 | C-42717 | CATCH (4859) | | | | | | | 19220 | 1 |
| -14 | C-17341 | FUSEBLOCK, 30 amp 3 pole 600v (6F30A3) | | | | | | | 76117 | 2 |
| -15 | C-31612 | FUSETRON, 10 amp 600v (FRS10) | | | | | | | 71400 | 3 |
| -16 | | CONTACTOR, reversing (Specify one of the following:) | | | | | | | | 1 |
| -16-1 | C-57896 | CONTACTOR, reversing 7-1/2hp, 15hp, 115v/50-60Hz (44CD3AAF) | | | | | | | 23826 | |
| -16-2 | 1019405 | CONTACTOR, reversing 20hp 40amp 120v/50-60Hz (2200R-EBR430AA) 115v/50-60Hz (44CD3AAF) | | | | | | | 52090 | |
| -17 | | CONTACT, nc (Specify one of the following:) | | | | | | | | 1 |
| -17-1 | C-25007 | CONTACT, nc 7-1/2hp, 15hp | | | | | | | 23826 | |
| -17-2 | C-25010 | CONTACT, nc 20hp | | | | | | | 52090 | |
| -18 | C-25008 | CONTACT, no (Specify one of the following:) | | | | | | | | 1 |
| -18-1 | C-25008 | CONTACT, no 7-1/2hp, 15hp | | | | | | | 23826 | |
| -18-2 | C-25011 | CONTACT, no 20 hp | | | | | | | 52090 | |
| -19 | 1004365 | CONTACTOR, reversing 30amp 115v (44BE30AF) | | | | | | | 23826 | 1 |
| -20 | C-57899 | CONTACTOR, 120v/50-60Hz 7-1/2hp (42CF35AF) | | | | | | | 23826 | 1 |
| -21 | C-58400 | TIMER, 14.25 sec 115v/60Hz (DA11-001) | | | | | | | 27780 | 3 |
| -22 | T126-8 | CONTACTOR, 115v/50-60Hz(41NB30AF) | | | | | | | 23826 | 2 |
| -23 | C-77846 | VALVE,120v/60Hz clutch and oiler solenoid (A3DB2127)(For breakdown see figure 27.) | | | | | | | 81978 | 2 |
| | | | | | | | | | 81978 | 2 |
| -24 | C-78016 | VALVE,120v/60Hz reed switch solenoid (A5DB2127)(For breakdown see figure 28.) | | | | | | | 81978 | 1 |

PRODUCT CODE 152

| ITEM NO. | PART NO. | DESCRIPTION | | | | | | | MFRS. CODE | UNITS PER ASSY |
|--|----------|--|---|---|---|---|---|---|------------|----------------|
| | | 1 | 2 | 3 | 4 | 5 | 6 | 7 | | |
| -25 | 1039007 | VALVE, roll raise solenoid (H935DB2150) (For breakdown see figure 26.) | | | | | | | 81978 | 1 |
| NOTE | | | | | | | | | | |
| OVERLOAD RELAYS AND HEATER COILS WILL CHANGE IN RELATION TO HORSEPOWER REQUIREMENTS OF UNIT. | | | | | | | | | | |
| NOTE | | | | | | | | | | |
| ITEMS 26 THROUGH 29 ARE REQUIRED FOR 7-1/2 HP UNITS. | | | | | | | | | | |
| -26 | C-57656 | RELAY, size 1 overload (815B0V16) | | | | | | | 01121 | 1 |
| -27 | C-21079 | COIL, heater hi-drive (N-28) | | | | | | | 01121 | 3 |
| -28 | C01 | COIL, heater speed changer (N-1) | | | | | | | 01121 | 3 |
| -29 | C-22030 | COIL, heater lo-drive (N-25) | | | | | | | 01121 | 3 |
| NOTE | | | | | | | | | | |
| ITEMS 30 THROUGH 33 ARE REQUIRED FOR 15 HP UNITS. | | | | | | | | | | |
| -30 | C-57656 | RELAY, size 1 overload (815B0V16) | | | | | | | 01121 | 1 |
| -31 | C-21085 | COIL, heater hi-drive (N-35) | | | | | | | 01121 | 3 |
| -32 | C-21435 | COIL, heater speed changer (N-1) | | | | | | | 01121 | 3 |
| -33 | C-21084 | COIL, heater lo-drive (N-34) | | | | | | | 01121 | 3 |
| NOTE | | | | | | | | | | |
| ITEMS 34 THROUGH 40 ARE REQUIRED FOR 20 HP UNITS. | | | | | | | | | | |
| -34 | C-57656 | RELAY, size 1 overload (815B0V16) | | | | | | | 01121 | 1 |
| -35 | C-21087 | COIL, heater hi-drive (N-38) | | | | | | | 01121 | 3 |
| -36 | C-21435 | COIL, heater speed changer (N-1) | | | | | | | 01121 | 3 |
| -37 | C-21085 | COIL, heater lo-drive (N-35) | | | | | | | 01121 | 3 |
| -38 | C-73141 | TRANSFORMER, type SX0 300va 575v pri 120v sec 60Hz | | | | | | | | 1 |

PRODUCT CODE 152

Table 6-2. Spare Parts 60Hz (7-1/2 Hp, 15 Hp, 20 Hp)

| ITEM NO. | PART NO. | DESCRIPTION | | | | | | | MFRS. CODE | UNITS PER ASSY |
|----------|--------------------|---|---|---|---|---|---|---|------------|----------------|
| | | 1 | 2 | 3 | 4 | 5 | 6 | 7 | | |
| -1 | 160-R84 C-22574 | SPARE PARTS 60Hz 7-1/2hp-15hp-20hp SWITCH,air pressure range 20-100 psi (P70AA-5) | | | | | | | 92578 | 1 |
| -2 | C-58400 | TIMER,14,25 sec 115v/60Hz (DA11-001) | | | | | | | 27780 | 1 |
| -3 | C-68859 | SWITCH,3 pos progressive (TIGG51-1C-WH) | | | | | | | 73559 | 1 |
| -4 | C-69277 | SWITCH (BZE6-2RN) | | | | | | | 91929 | 1 |
| -5 | C-77846 | VALVE,1/4in.npt nc 3 way 120v/60Hz clutch and oiler solenoid (A3DB2127) | | | | | | | 81978 | 1 |
| -6 | C-77942 | VALVE,115v/50Hz 4 way roll solenoid (H935DB2150) | | | | | | | 81978 | 1 |
| -7 | C-79625 | SWITCH,w/ snap in bracket (TIGM6M-1C-WH) | | | | | | | 73559 | 1 |
| -8 | M-90969 | TAPE, 3/4in. dacron heat set 100 foot roll cloth and pad | | | | | | | | 3 |
| -9 | 128-900 | RIBBON | | | | | | | | 48 |
| -10 | 1005925 | BELT, vari speed (3226V843) | | | | | | | 96432 | 1 |
| -11 | C-78016 | VALVE, 3 way n.o. 1/4in. npt 120v/60Hz reed switch solenoid (A5DB2127) | | | | | | | 81978 | 1 |
| -12 | 10144114 | O-RING AND U-CUP REPAIR KIT,roll lift air cylinder (P62583) | | | | | | | 61775 | 1 |